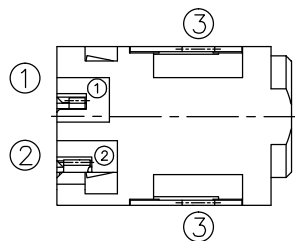
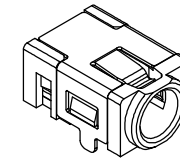
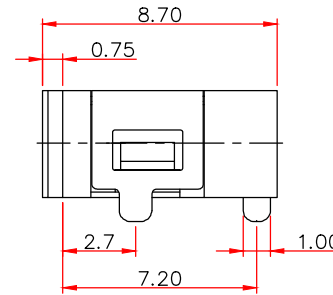
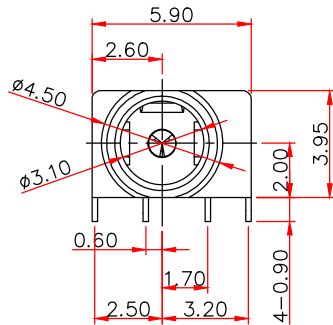
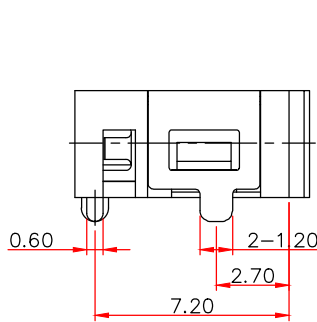


△				
△				
△				
△				
ZONE	REV	DESCRIPTION	DATE	APPD.

DC-115H-B-S111
Center Pin : $\phi 1.00\text{mm}$

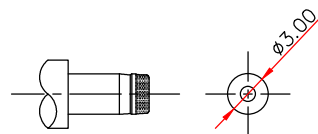
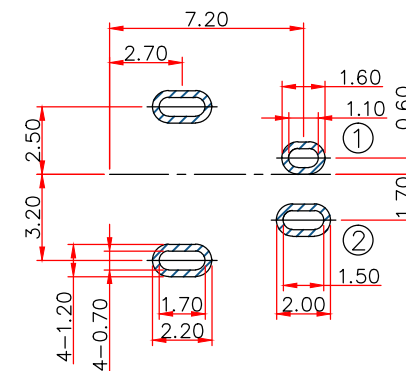
R&D發行
2023.01.03
達立

RoHS
Compatible



Schematic	1
	3
	2
Center Pin	$\phi 1.00\text{mm}$

RECOMMENED P.C.B MOUNTING
PATTERN DIMENSION



DC MATE PLUG

Material :
Terminal 1 : Brass, Ag Plated
Terminal 2 : Copper alloy, Ag Plated
Terminal 3 : Copper alloy, Ag Plated
Housing : PPA

達立科技股份有限公司
Dawning Precision Co., Ltd.
TEL: 886-2-82271388 FAX: 886-2-82272198

DESIGN	Charles	SCALE		
DRAWING	Charles	UNIT	mm	
CHECK	Charles	SIZE	A4: 210*297	
APPROVAL	Baker	VERSION	02	

TOLERANCE UNLESS OTHERWISE STATED(mm)	
0	± 0.40
0.0	± 0.30
0.00	± 0.20
ANGLE	$\pm 2^\circ$

PART NAME	DC POWER SOCKET
PART NO	DC-115H-B-S111
DRAWING NO	
DATE	2023/01/03

www.dawning2.com.tw