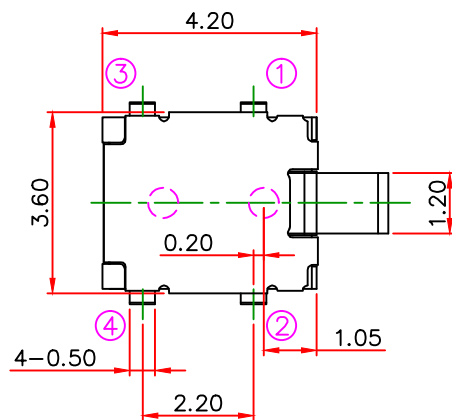


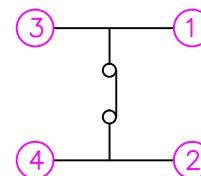
△				
△				
△				
△				
ZONE	REV	DESCRIPTION	DATE	APPD.

R&D
2018.09.21
達立

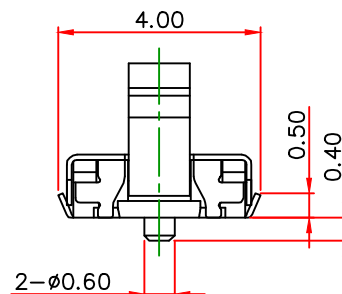
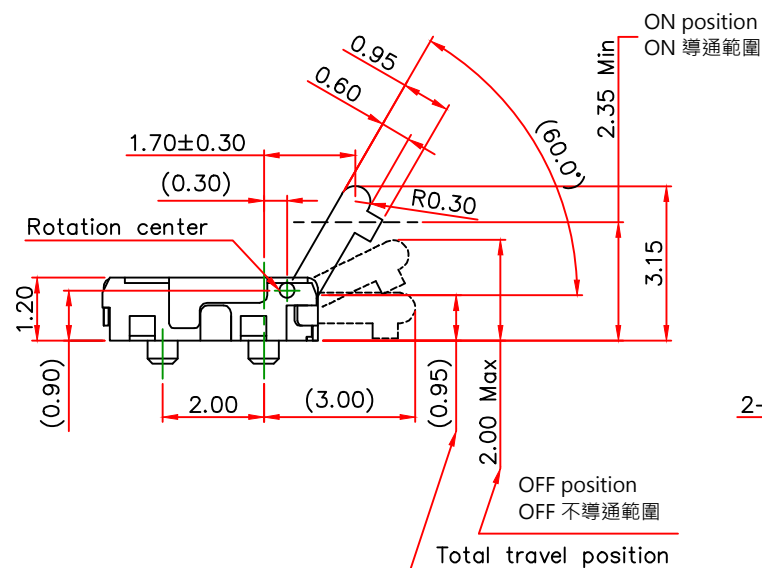
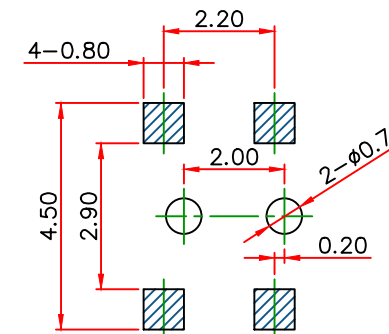
RoHS
Compatible



CIRCUIT DIAGRAM
(PUSH OFF TYPE)



RECOMMENED P.C.B MOUNTING
PATTERN DIMENSION



SPECIFICATION

1. Rating : 100μA 3V DC to 1mA 5V DC
2. Contact resistance : 3Ω Max.
3. Insulation resistance : DC 100V-100MΩ Min.
4. Withstanding voltage : AC 100V-1 minute
5. Operating force : 35gf Max.
6. Operating life : 50,000 cycles

6	Block	LCP/ UL94V-0	1	Black
5	Knob	Nylon/ UL94V-0	1	Black
4	Cover	Stainless steel	1	—
3	Contact	Copper alloy	1	Ag Plated
2	Terminal	Phosphor Bronze	1	Ag Plated
1	Base	Nylon/ UL94V-0	1	Black
No.	Part Name	Material	Q'ty	Finishing

達立科技股份有限公司

Dawning Precision Co., Ltd.

TEL: 886-2-82271388 FAX: 886-2-82272198

DESIGN	Eason	SCALE		
DRAWING	Eason	UNIT	mm	
CHECK	Eason	SIZE	A4: 210*297	
APPROVAL	Honda	VERSION	02	

TOLERANCE UNLESS OTHERWISE STATED(mm)	
0	±0.30
0.0	±0.25
0.00	±0.20
ANGLE	±5°

PART NAME	DETECTOR SWITCH
PART NO	DS-A34F
DRAWING NO	
DATE	2018/09/21