

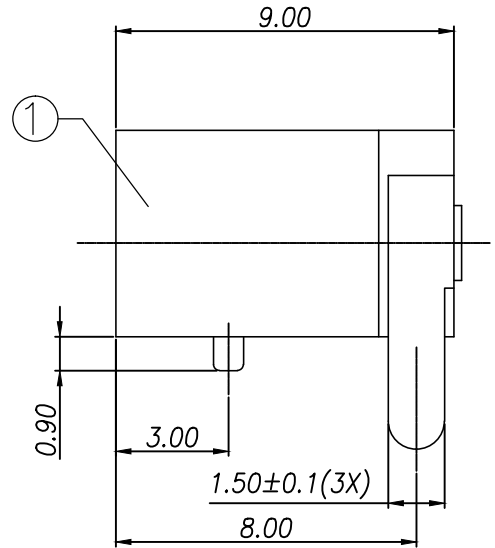
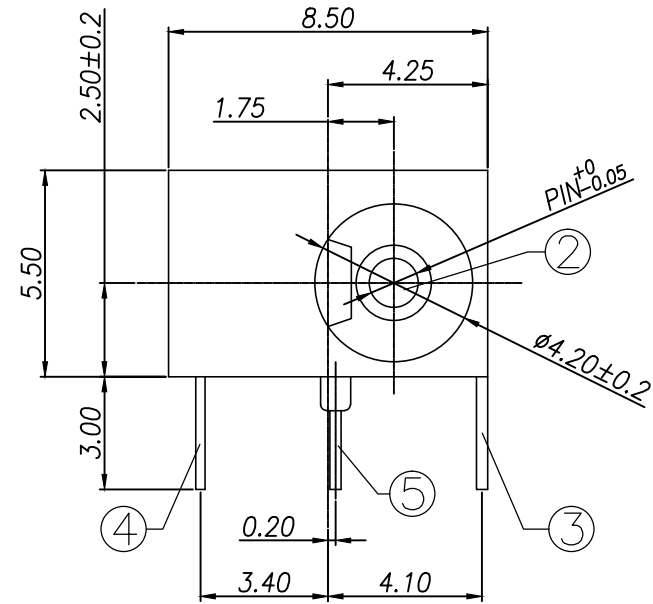
▲				
▲				
▲				
▲				
ZONE	REV	DESCRIPTION	DATE	APPD.

DC-011-xx-S057

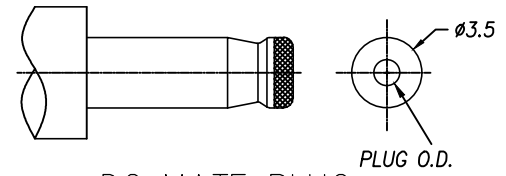
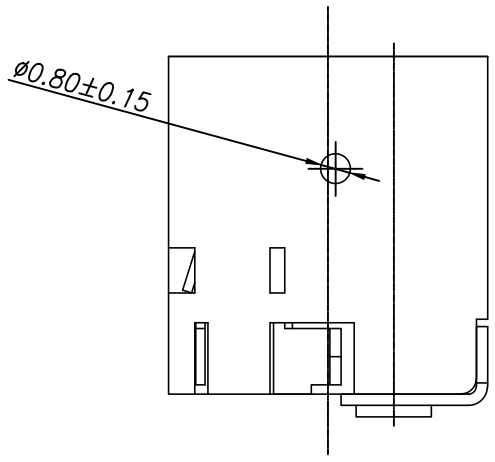
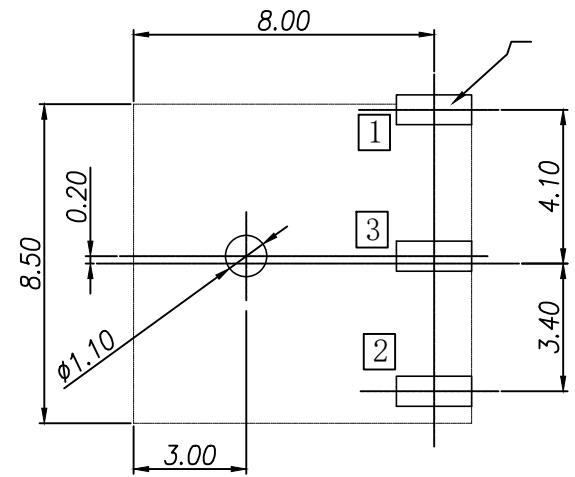
Center pin :  
 B =  $\phi 1.00$   
 C =  $\phi 1.30$   
 Circuit type : A , B

R&D發行  
 2022.08.17  
 達立

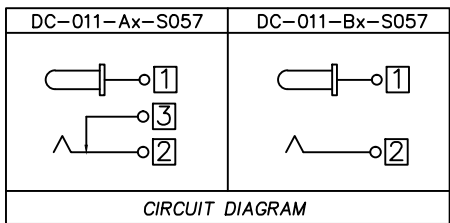
**RoHS**  
**Compatible**



RECOMMENDED P.C.B MOUNTING  
 PATTERN DIMENSION



DC MATE PLUG



SPECIFICATIONS :

1. Rating : DC 20V, 2A.
2. Contact resistance : 50m $\Omega$  Max.
3. Insulation resistance : 100M $\Omega$  Min.
4. Withstand voltage : 500V AC.
5. Insertion&withdrawal force : 0..3~3.0 Kgf
6. Life : 5000 Cycles Min.

5	Terminal	3	Brass alloy t0.3	1	Ag/Sn Plated
4	Terminal	2	Stainless steel t0.25	1	Ag/Sn Plated
3	Terminal	1	Brass t0.3	1	Ag/Sn Plated
2	Pin		Copper alloy	1	Sn plated
1	Plastic		PA66	1	Black
No.	Part Name		Material	Q'ty	Finishing

**達立科技股份有限公司**  
**Dawning Precision Co., Ltd.**  
 TEL: 886-2-82271388 FAX: 886-2-82272198

DESIGN	Chung	SCALE		
DRAWING	Chung	UNIT	mm	
CHECK	Chung	SIZE	A4: 210*297	
APPROVAL	Baker	VERSION	01	

TOLERANCE UNLESS OTHERWISE STATED(mm)	PART NAME	DC POWER SOCKET
0 _____ $\pm 0.50$	PART NO	DC-011-xx-S057
0.0 _____ $\pm 0.40$	DRAWING NO	
0.00 _____ $\pm 0.30$	DATE	2022.08.17
ANGLE _____ $\pm 2'$		