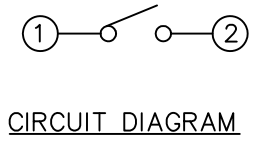
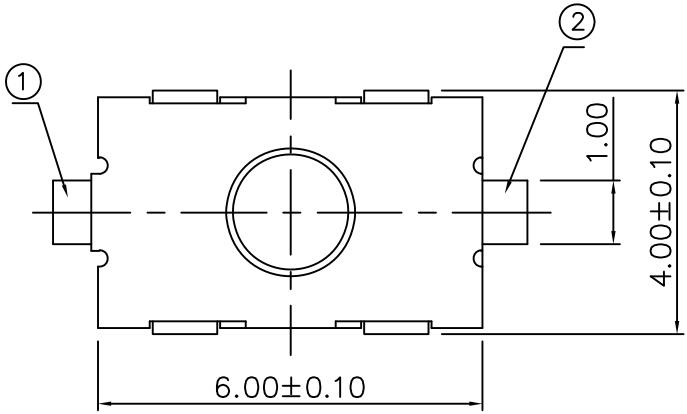


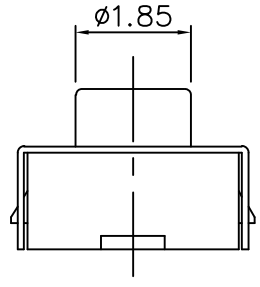
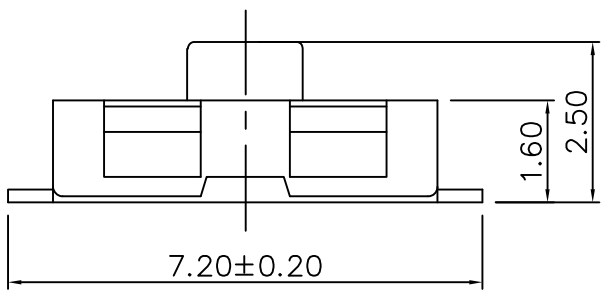
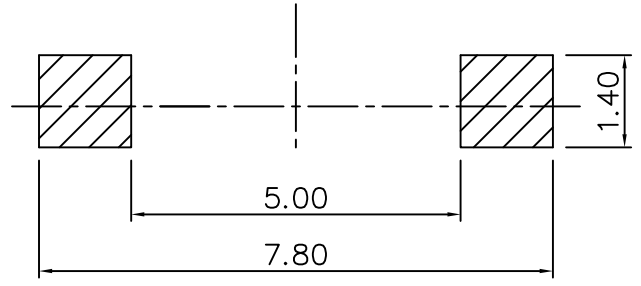
RoHS
Compatible

R&D發行
2022.04.21
達立

△				
△				
△				
△				
ZONE	REV	DESCRIPTION	DATE	APPD.



RECOMMENED P.C.B MOUNTING
PATTERN DIMENSION



Specification

1. Rating : DC 12V, 50mA.
2. Travel : 0.35±0.15mm
3. Contact resistance : 100mΩ Max.
4. Insulation resistance : 100MΩ Min.
5. Operating force : 180±50gf
6. Operating life : 100,000 cycles.

5	Stem	Silicone Rubber	1	——
4	Cover	Stainless Steel	1	Ag Plated
3	Contact	Stainless Steel	1	Ag Plated
2	Terminal	Copper alloy	1	Ag Plated
1	Case	PPA	1	Black
No.	Part Name	Material	Q'ty	Finishing

達立科技股份有限公司
Dawning Precision Co.,Ltd.
TEL: 886-2-82271388 FAX: 886-2-82272198

DESIGN	Horace	SCALE		
DRAWING	Horace	UNIT	mm	
CHECK	Horace	SIZE	A4: 210*297	
APPROVAL	Baker	VERSION	01	

TOLERANCE UNLESS OTHERWISE STATED(mm)	PART NAME	TACT SWITCH
0 ——— ±0.50	PART NO	TS-A56-280-S164
0.0 ——— ±0.30	DRAWING NO	
0.00 ——— ±0.20	DATE	2022.04.21
ANGLE ——— ±2°		