

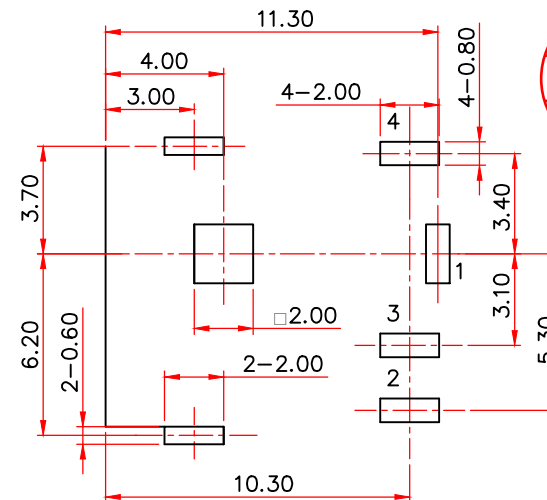
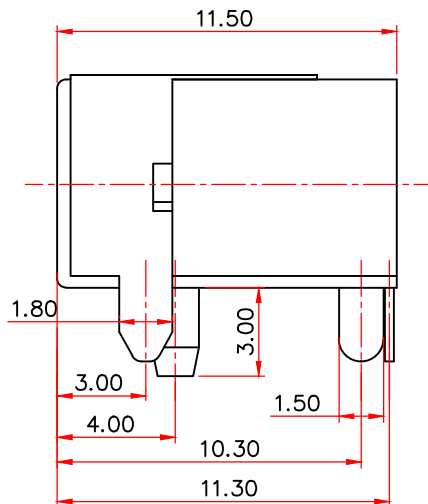
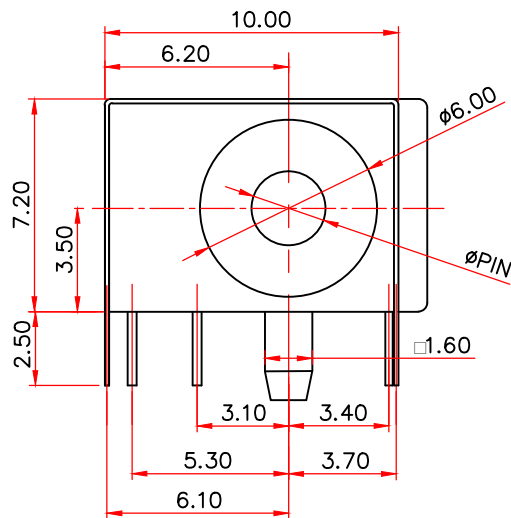
△				
△				
△				
△				
ZONE	REV	DESCRIPTION	DATE	APPD.

DC-074SC-F-S242

Center PIN  
F =  $\phi 2.00$

**RoHS**  
**Compatible**

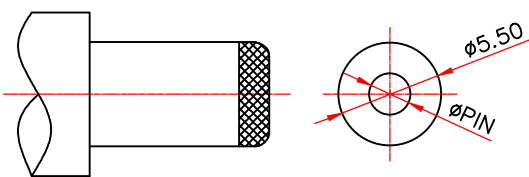
RECOMMENDED P.C.B MOUNTING  
PATTERN DIMENSION



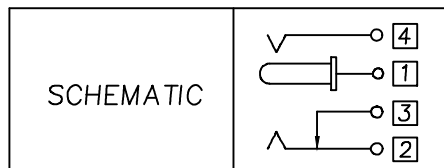
R&D發行  
2023.02.16  
達立

**SPECIFICATIONS :**

1. Rating : DC 25V,3A.
2. Contact resistance : 50m $\Omega$  Max.
3. Insulation resistance : 100M $\Omega$  Min.
4. Withstand voltage : 500V AC.
5. Insertion&withdrawal force : 0.3~3.0 Kg
6. Life test : 5000 Cycles Min.
7. Operation temperature range : -25 $^{\circ}$ C~+85 $^{\circ}$ C



DC MATE PLUG



7	Center Pin	Brass	1	Sn Plated
6	Housing	PBT	1	Black
5	Contact	Phosphor Bronze	1	Ag Plated
4	Terminal	Brass t0.4	1	Ag Plated
3	Terminal	Brass t0.4	1	Ag Plated
2	Contact	Phosphor Bronze	1	Ag Plated
1	Shield	Brass t0.2	1	Ag Plated
No.	Part Name	Material	Q'ty	Finishing

達立科技股份有限公司

Dawning Precision Co.,Ltd.  
TEL: 886-2-82271388 FAX: 886-2-82272198

DESIGN	Charles	SCALE	
DRAWING	Charles	UNIT	mm
CHECK	Charles	SIZE	A4: 210*297
APPROVAL	Baker	VERSION	01

TOLERANCE UNLESS OTHERWISE STATED(mm)	
0	$\pm 0.50$
0.0	$\pm 0.40$
0.00	$\pm 0.30$
ANGLE	$\pm 2^{\circ}$

PART NAME	DC POWER JACK
PART NO	DC-074SC-F-S242
DRAWING NO	
DATE	2023/02/16

www.dawning2.com.tw