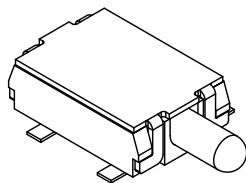
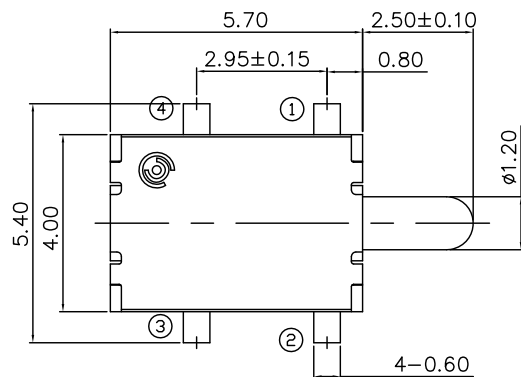


△				
△				
△				
△				
ZONE	REV	DESCRIPTION	DATE	APPD.

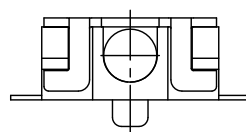
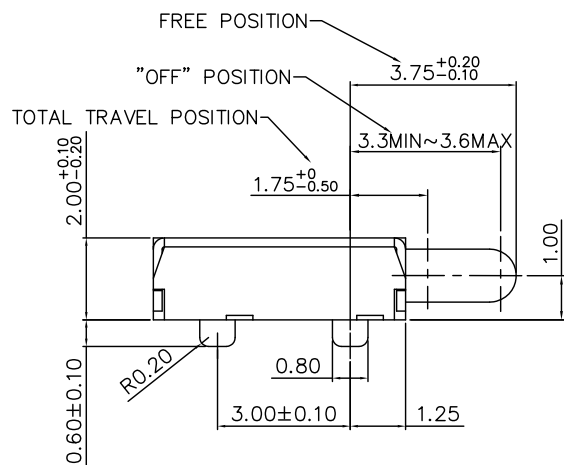
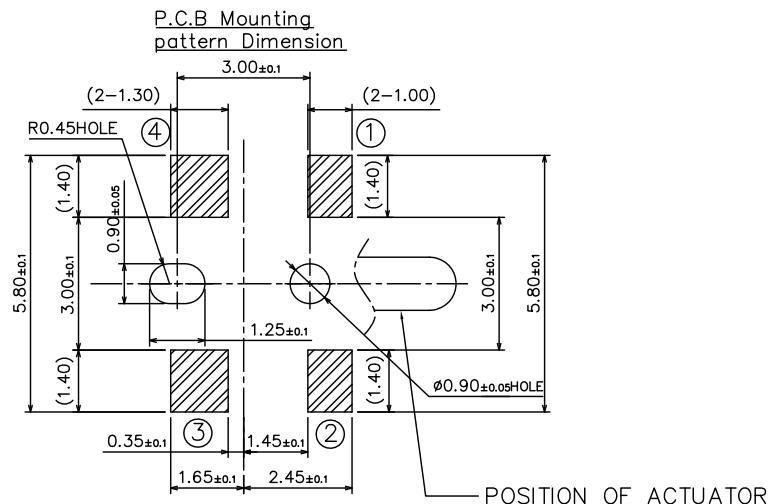
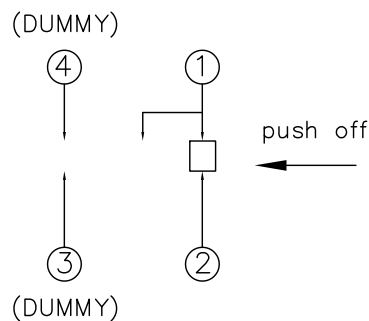


R&D發行
2022.07.28
達立

RoHS
Compatible



Circuit Diagram



Specifications

1. Rating: DC12V ,100mA
2. Contact Resistance : 1Ω MAX.
3. Insulation Resistance : DC 100V-100MΩ Min.
4. Withstand Voltage : AC100-1 minute.
5. Operation : 100±50gf.
6. Life Cycles : 100,000 cycles

6	Coil spring	Stainless Steel	1	———
5	Contact plate	Copper alloy	1	Ag Plate 0.5μm min
4	Terminal	Copper alloy	2	Ag plated 0.5μm min over Ni plated 0.15μm min
3	Case	LCP	1	Black color
2	Actuator	PA10T	1	Black color
1	Cover	Stainless Steel	1	———
NO	PART NAME	MATERIAL	Q"TY	FINISHING

達立科技股份有限公司

Dawning Precision Co.,Ltd.

TEL: 886-2-82271388 FAX: 886-2-82272198

DESIGN	Chung	SCALE		
DRAWING	Chung	UNIT	mm	
CHECK	Chung	SIZE	A4: 210*297	
APPROVAL	Baker	VERSION	A	

TOLERANCE UNLESS OTHERWISE STATED(mm)		PART NAME	DETECTOR SWITCH
0	±0.4	PART NO	DS-B50F
0.0	±0.3	DRAWING NO	C-DS-B50F-101
0.00	±0.2	DATE	2022.07.28
ANGLE	±2°		