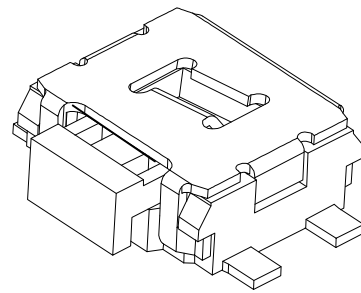


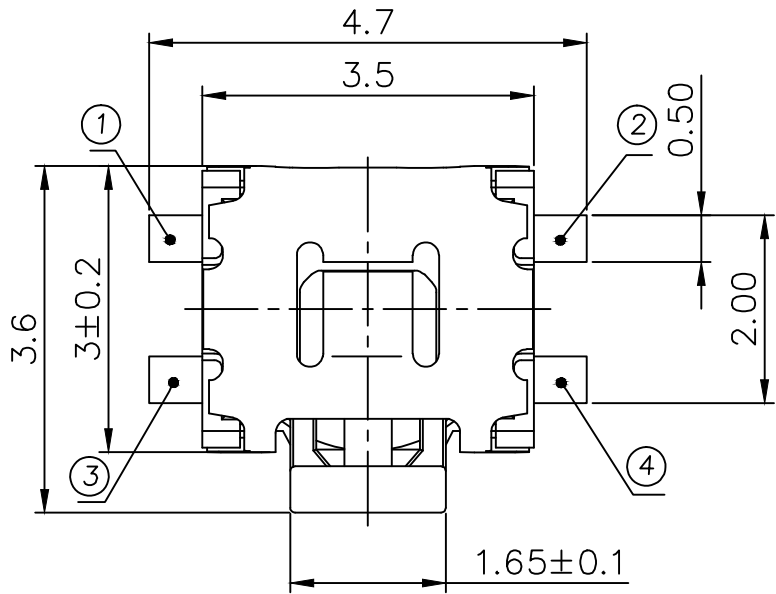
▲				
▲				
▲				
▲				
ZONE	REV	DESCRIPTION	DATE	APPD.

R&D發行
2017.08.17
達立

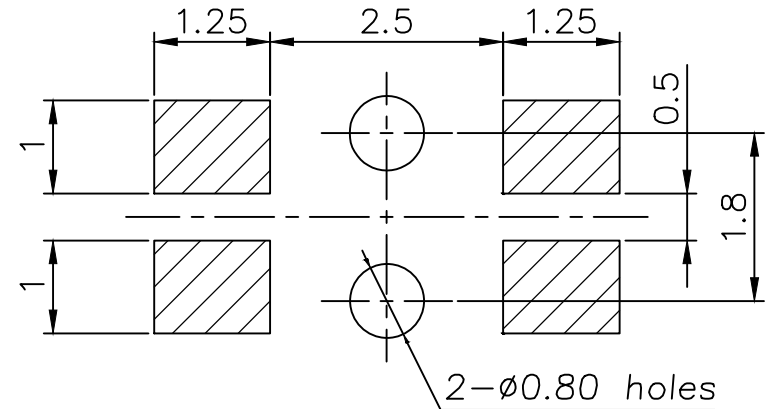
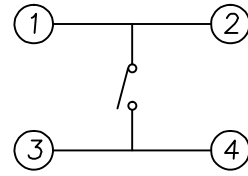
RoHS
Compatible



P.C.B Mounting
pattern Dimension

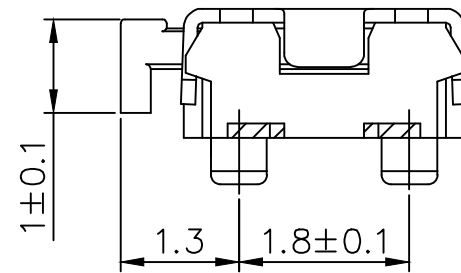
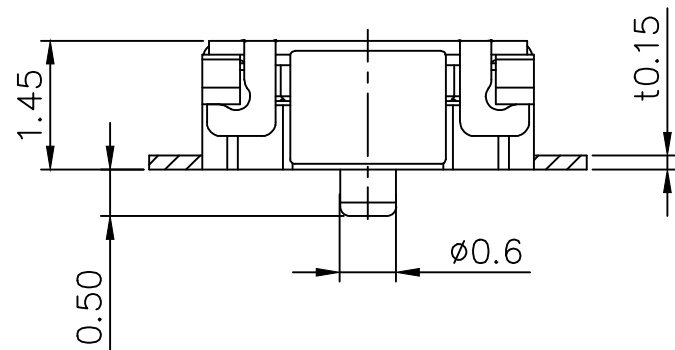


Circuit diagram



Specification

1. Rating : DC12V 50mA
2. Contact resistance : 100mΩ Max.
3. Insulation resistance : 100MΩ Min.
4. Travel : 0.2±0.1mm
5. Operating force : 250±80gf
6. Operating life : 50,000 cycles Min.



5	Terminal	Phosphor Bronze	4	Ag Plated
4	Case	PA6T	1	Black
3	Contact	Stainless Steel	1	Ag Clad
2	Stem	PA6T	1	Black
1	Cover	Stainless Steel	1	—
NO	Part Name	Material	Q"ty	Finishing

達立科技股份有限公司
Dawning Precision Co, Ltd
TEL: 886-2-82271388 FAX: 886-2-82272198

DESIGN	Sean	SCALE		
DRAWING	Sean	UNIT	mm	
CHECK	Sean	SIZE	A4: 210*297	
APPROVAL	Honda	VERSION	01	

TOLERANCE-UNLESS OTHERWISE STATED(mm)	PART NAME	TACT SWITCH
0 ——— ±0.5	PART NO	TS-A15E-BP-3-S085
0.0 ——— ±0.25	DRAWING NO	
0.00 ——— ±0.15	DATE	2017/08/17
ANGLE ——— ±2°		