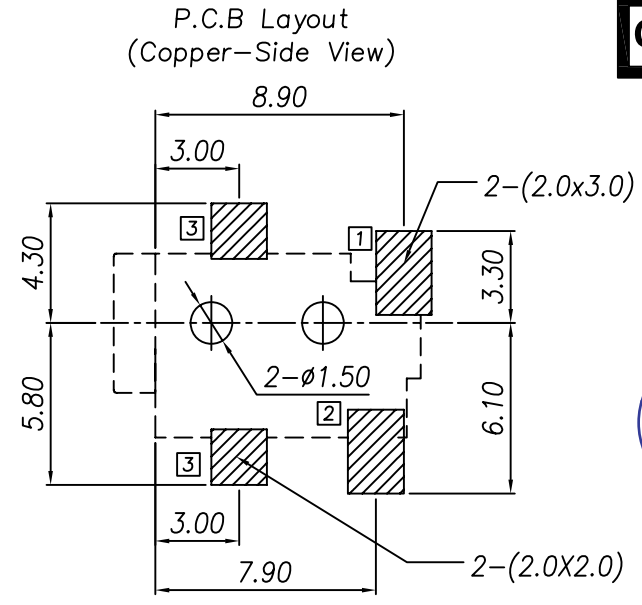
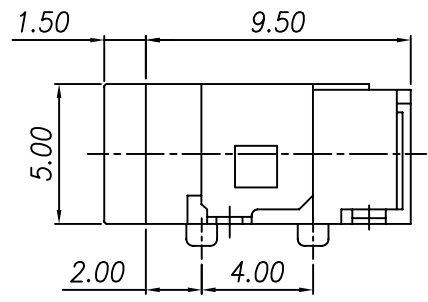
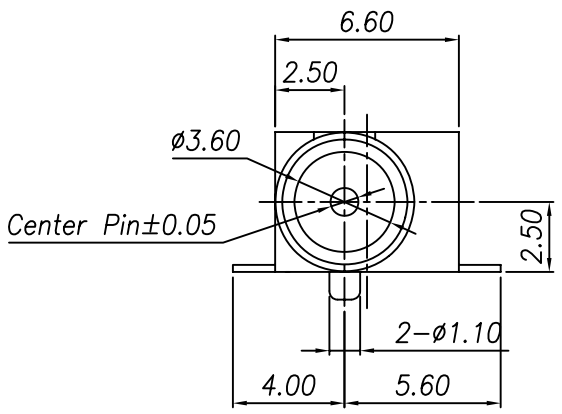


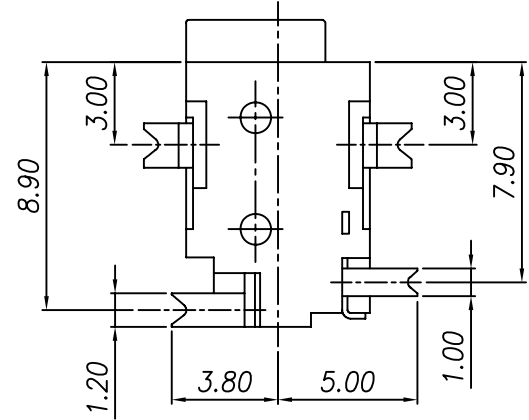
RoHS
Compatible

發行
2012.02.15
達立

△				
△				
△				
△				
ZONE	REV	DESCRIPTION	DATE	APPD.



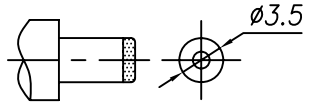
Order Information:
DC-060D--S057
Center Pin



Model No.	DC-060D-S057
Schematic	
Center Pin	$\phi 1.0\text{mm}$ $\phi 1.3\text{mm}$

□ Terminal No.

DC Mate Plug



Specifications

1. Rating : 30V 1A Max.
2. Contact resistance: 30mΩ Max.
3. Insulation resistance : 100MΩ Min.
4. Withstand voltage : 250VAC
5. Insertion and extraction force : 3-30N
6. Life test : 5,000 cycles
7. Operating temperature : -20°C~70°C

④	Tip Spring	③	Phosphor Bronz	1	Ag Plated
③	Tip Spring	②	Phosphor Bronz	1	Ag Plated
②	Center Pin	①	Brass	1	Ag Plated
①	Housing		PA9T	1	Black
No.	Part Name		Material	Q'ty	Finishing

達立科技股份有限公司
Dawning Precision Co., Ltd.
TEL: 886-2-82271388 FAX: 886-2-82272198

DESIGN	Will	SCALE	
DRAWING	Will	UNIT	mm
CHECK	Will	SIZE	A4: 210*297
APPROVAL	Eric	VERSION	01

TOLERANCE UNLESS OTHERWISE STATED(mm)	PART NAME	DC POWER SOCKET
less than 10 ±0.2	PART NO	DC-060D-S057 SERIES
10~30 ±0.3	DRAWING NO	
30~100 ±0.5	DATE	2012/02/15
ANGIE ±2°		