

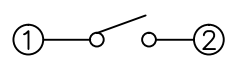
△				
△				
△				
△				
ZONE	REV	DESCRIPTION	DATE	APPD.

ORDER INFORMATION :
 TS-A07GU-2-W-S085
 Stem color : White
 Force : 160gf

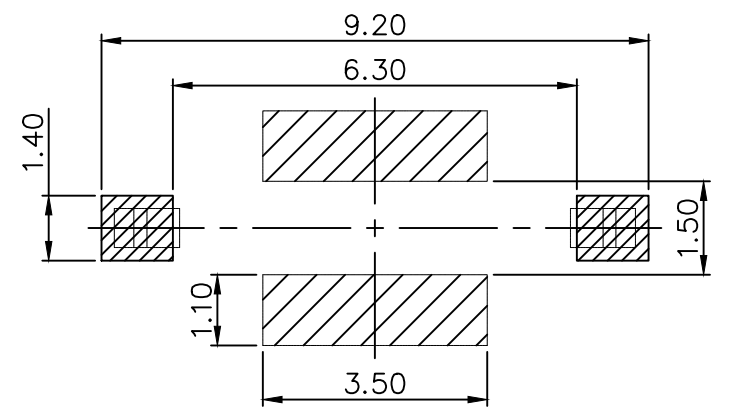
R&D發行
 2017.05.04
 達立

RoHS
Compatible

CIRCUIT DIAGRAM



RECOMMENED P.C.B MOUNTING
 PATTERN DIMENSION

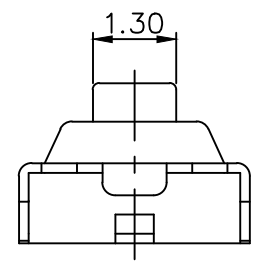
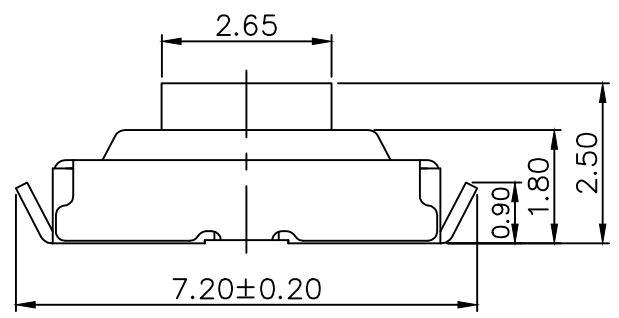
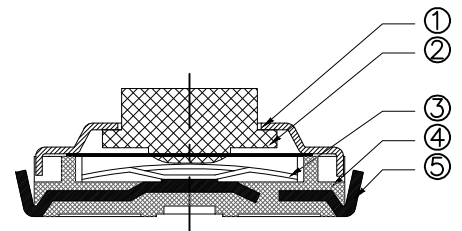
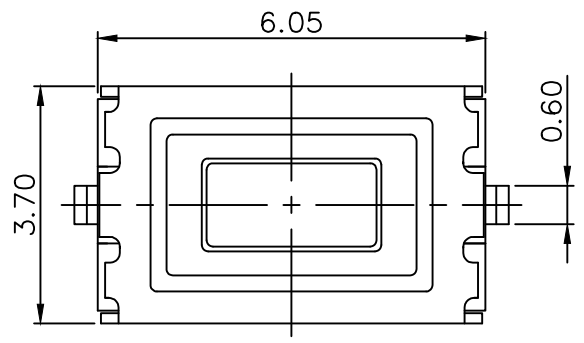


NOTE: 線路禁置區

Specifications

1. Rating : DC12V, 50mA Max.
2. Circuit : 1C-1P
3. Travel : 0.25±0.1mm
4. Contact resistance : 100mΩ Max.
5. Insulation resistance : 100MΩ Min.
6. Operating Force : 160±50gf
7. Operating Life : 30,000 Cycles

6	Dust Cover	Pi Film	1	Yellow
5	Terminal	Brass	2	Ag Plated
4	Base	PPA	1	Black
3	Contact	SUS	2	Ag Clad
2	Stem	PPA	1	White
1	Cover	SUS	1	Natural
NO	Part Name	Material	Q'ty	Finishing



達立科技股份有限公司
Dawning Precision Co., Ltd.
 TEL: 886-2-82271388 FAX: 886-2-82272198

DESIGN	Eason	SCALE		
DRAWING	Eason	UNIT	mm	
CHECK	Eason	SIZE	A4: 210*297	
APPROVAL	Honda	VERSION	02	

TOLERANCE UNLESS OTHERWISE STATED(mm)		PART NAME	TACT SWITCH
0	±0.30	PART NO	TS-A07GU-2-W-S085
0.0	±0.20	DRAWING NO	
0.00	±0.10	DATE	2016/11/29
ANGIE	±2°		

www.dawning2.com.tw