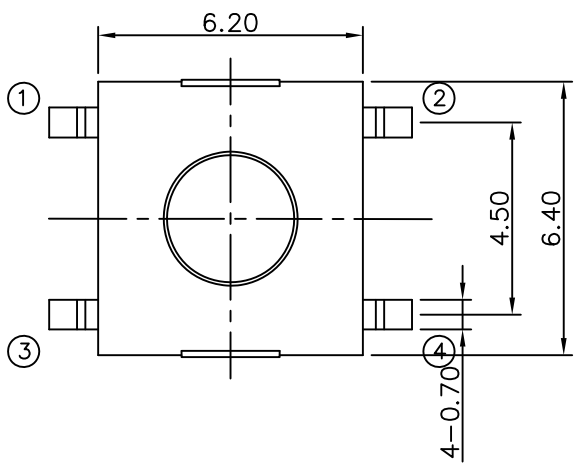


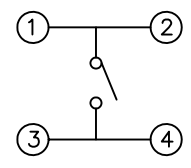
RoHS
Compatible

R&D發行
2022.07.18
達立

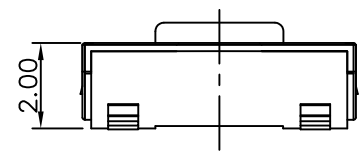
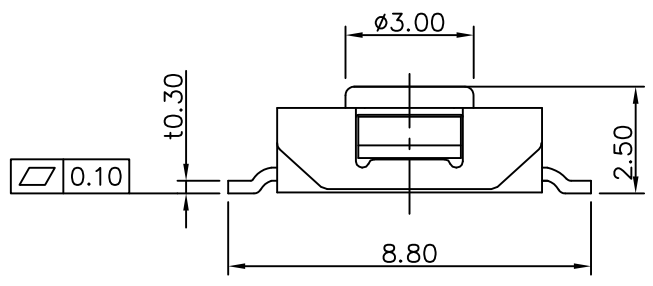
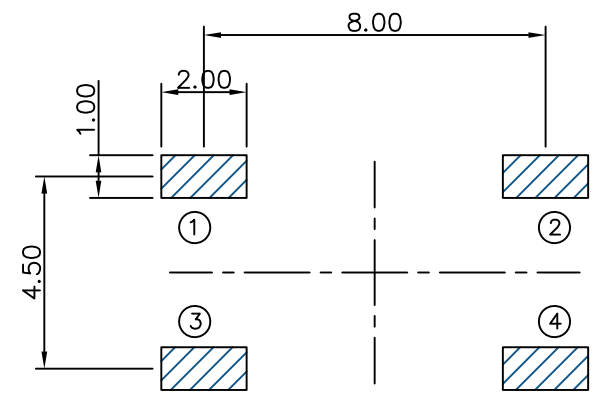
△				
△				
△				
△				
ZONE	REV	DESCRIPTION	DATE	APPD.



CIRCUIT DIAGRAM



RECOMMENED P.C.B MOUNTING PATTERN DIMENSION



Specifications

1. Rating : DC 12V, 50mA.
2. Travel : 0.25±0.1mm
3. Contact resistance : 100mΩ Max.
4. Insulation resistance : 100MΩ Min.
5. Operating force : 160±50gf
6. Operating life : 100,000 cycles Min.

5	Stem	PPA	1	Black
4	Cover	SUS	1	
3	Contact	SUS	1	Ag Plated 0.2μm
2	Terminal	Brass	1	Ni under plated 0.10μm and Ag plated 0.1μm. over all.
1	Case	PPA	1	Black
No.	Part Name	Material	Q"ty	Finishing

達立科技股份有限公司
Dawning Precision Co., Ltd.
TEL: 886-2-82271388 FAX: 886-2-82272198

DESIGN	Horace	SCALE		
DRAWING	Horace	UNIT	mm	
CHECK	Horace	SIZE	A4: 210*297	
APPROVAL	Baker	VERSION	01	

TOLERANCE UNLESS OTHERWISE STATED(mm)	PART NAME	TACT SWITCH
0 _____ ±0.40	PART NO	TS-A57AAND-2-S085
0.0 _____ ±0.35	DRAWING NO	
0.00 _____ ±0.30	DATE	2022.07.18
ANGLE _____ ±2'		

www.dawning2.com.tw