

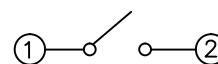
△				
△				
△				
△	A	Initial Release	2019.04.02	Eason
ZONE	REV	DESCRIPTION	DATE	APPD.

ORDER INFORMATION :
 TS-A16SL-200
 Force : 200gf
 Knob type

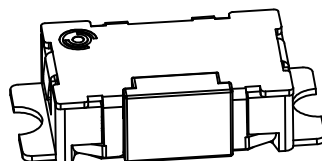
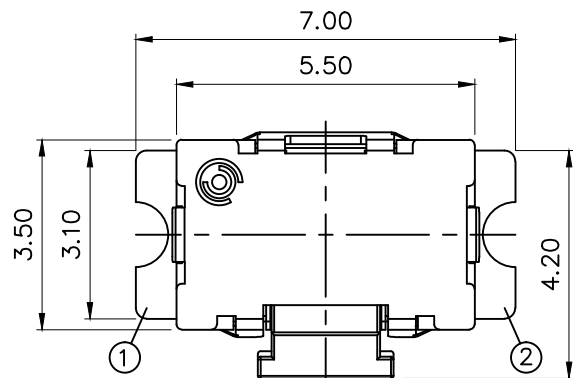
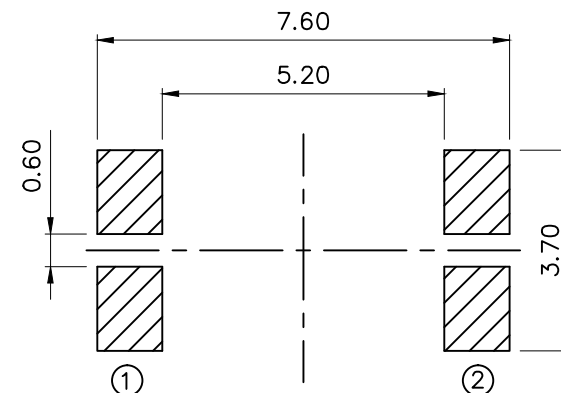
R&D
 2019.04.02
 達立

RoHS
Compatible

CIRCUIT DIAGRAM

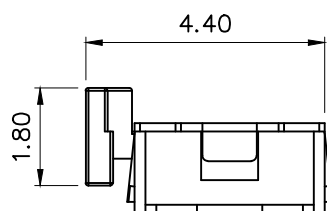
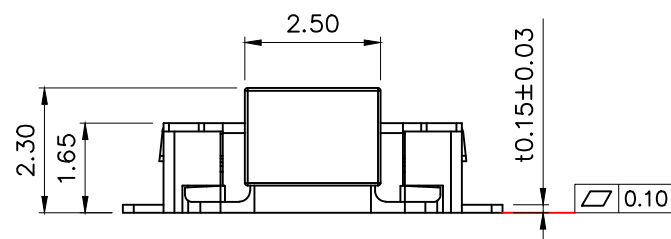


RECOMMENED P.C.B MOUNTING
 PATTERN DIMENSION



SPECIFICATIONS

1. Rating: DC 32V, 50mA
2. Travel: 0.30±0.15mm
3. Contact Resistance: 100mΩ Max.
4. Insulation Resistance: 100MΩ Min.
5. Operating Force: 200±50gf
6. Operating Life: 100,000 Cycles Min.



7.	Terminal	Brass	1	Ni under plated 0.5μm and Ag plated 0.5μm. over all.
6.	Case	LCP / GF30%	1	Black
5.	Contact	Stainless Steel	1	Ag Plated 0.25μm
4.	Dust Cover	Pi Film	1	Yellow
3.	Spring	Stainless Steel	1	Heat treatment
2.	Knob	PA6T C430N /GF 30%	1	Dark gray / Pantone 430C
1.	Shell	Stainless Steel	1	Heat treatment
No.	Part Name	Material	Q'ty	Finishing

達立科技股份有限公司
Dawning Precision Co., Ltd.
 TEL: 886-2-82271388 FAX: 886-2-82272198

DESIGN	Eason	SCALE		
DRAWING	Eason	UNIT	mm	
CHECK	Eason	SIZE	A4: 210*297	
APPROVAL	Honda	VERSION	A	

TOLERANCE UNLESS OTHERWISE STATED(mm)	PART NAME	TACT SWITCH
0 ——— ±0.50	PART NO	TS-A16SL-200
0.0 ——— ±0.30	DRAWING NO	C-TS-A16SL-200-101
0.00 ——— ±0.20	DATE	2019/04/02
ANGLE ——— ±2°		