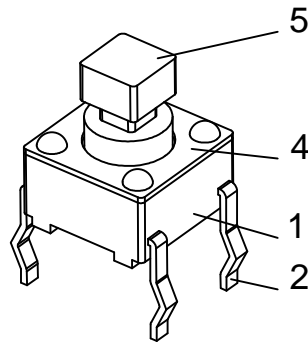
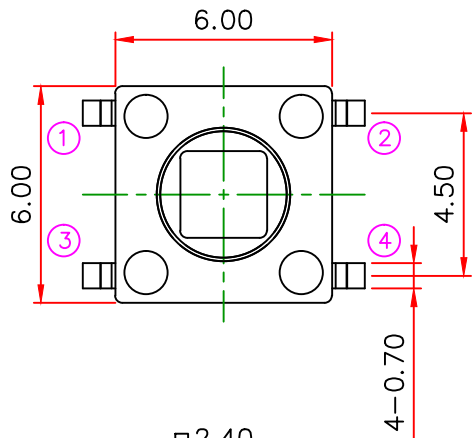


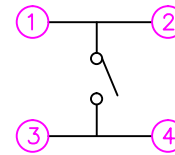
△				
△				
△				
△				
ZONE	REV	DESCRIPTION	DATE	APPD.

R&D發行  
2019.07.18  
達立

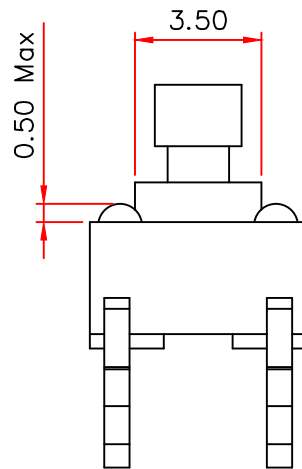
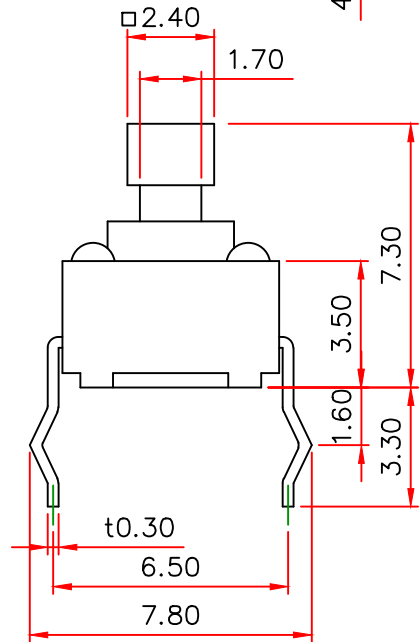
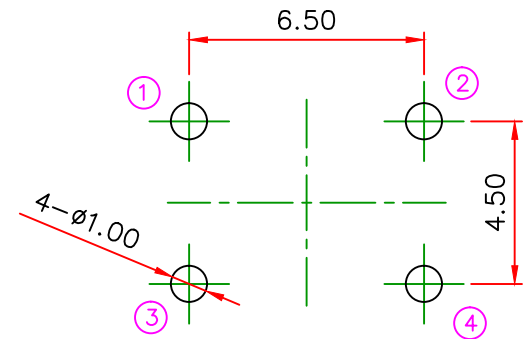
**RoHS**  
**Compatible**



CIRCUIT DIAGRAM



RECOMMENED P.C.B MOUNTING PATTERN DIMENSION



Specifications

1. Rating : DC 12V, 50mA.
2. Travel : 0.25±0.1mm
3. Contact resistance : 100mΩ Max.
4. Insulation resistance : 100MΩ Min.
5. Operating force : 100±50gf
6. Operating life : 100,000 cycles.

5	Stem	PA6T	1	Black
4	Cover	Brass	1	—
3	Contact	Phosphor Bronze	1	Ag Clad
2	Terminal	Brass	1	Ag Plated
1	Case	PA6T	1	Black
No.	Part Name	Material	Q'ty	Finishing

達立科技股份有限公司  
Dawning Precision Co., Ltd.  
TEL: 886-2-82271388 FAX: 886-2-82272198

DESIGN	Jeff	SCALE	
DRAWING	Jeff	UNIT	mm
CHECK	Jeff	SIZE	A4: 210*297
APPROVAL	Honda	VERSION	01

TOLERANCE UNLESS OTHERWISE STATED(mm)	PART NAME	TACT SWITCH
0 ——— ±0.50	PART NO	TS-A02T-1-S001
0.0 ——— ±0.40	DRAWING NO	
0.00 ——— ±0.30	DATE	2019/07/18
ANGLE ——— ±2°		