

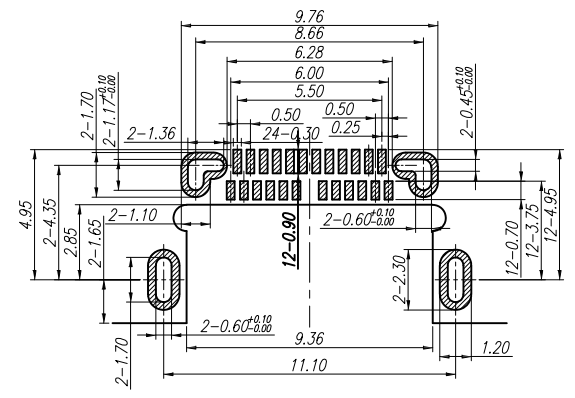
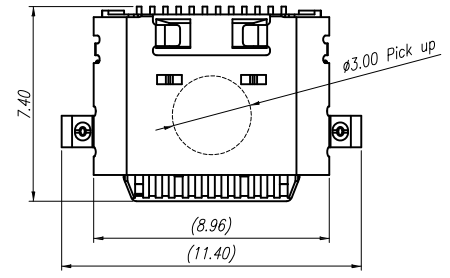
| | | | | |
|------|-----|-------------|------|-------|
| △ | | | | |
| △ | | | | |
| △ | | | | |
| △ | | | | |
| ZONE | REV | DESCRIPTION | DATE | APPD. |

Order information :
18178-9K7A1-S186
1 2 3 4 5

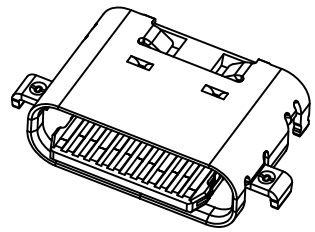
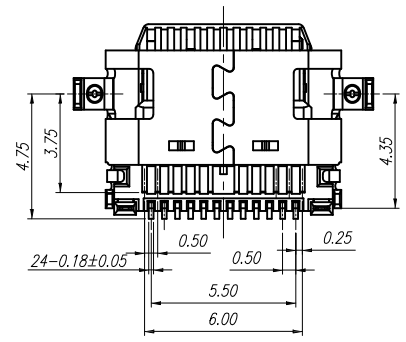
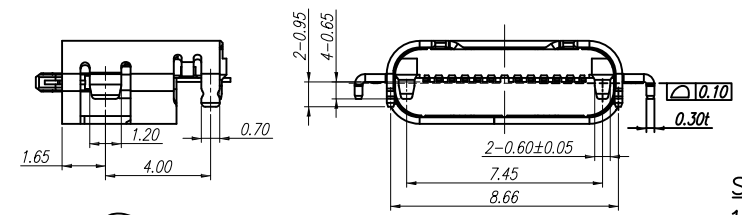
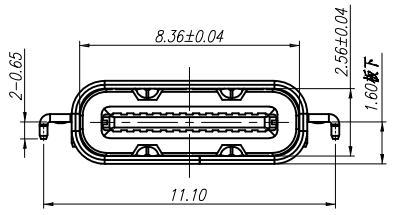
- Housing material
9 = Thermoplastic
- Housing color
K = Black
- Shell material & plating
7=Stainless / Ni
- Contact plating
A = Au Plated
- Packing
1 = Tape & Reel

RD&發行
2023.05.23
達立

RoHS
Compatible



RECOMMENED P.C.B MOUNTING
TOLERANCE: ±0.05



Specifications

- Current Rating: 5.0 A
- Contact resistance: 30mΩ Max.
- Insulation resistance: 100MΩ Min.
- Dielectric withstanding voltage: 100V AC/1 minute
- Insertion force: 5~20N
- Removal force: 8~20N
- Durability : 10,000 Cycles
- Operation Temperature : -40°C ~ +85°C

| PIN ASSIGNMENT | | | | | | | | | | | | BLADE | SHELL |
|----------------|------|------|------|------|----|----|------|------|------|------|-----|-------|-------|
| A1 | A2 | A3 | A4 | A5 | A6 | A7 | A8 | A9 | A10 | A11 | A12 | GND | GND |
| GND | TX1+ | TX1- | VBUS | CC1 | D+ | D- | SBU1 | VBUS | RX2- | RX2+ | GND | | |
| GND | RX1+ | RX1- | VBUS | SBU2 | D- | D+ | CC2 | VBUS | TX2- | TX2+ | GND | GND | GND |
| B12 | B11 | B10 | B9 | B8 | B7 | B6 | B5 | B4 | B3 | B2 | B1 | | |

| 4 | Mid plated | Stainless Steel | 1 | Ni Plated |
|-----|------------|-----------------|------|----------------|
| 3 | Contact | Copper Alloy | 1 | Au & Ni Plated |
| 2 | Housing | Plastic | 1 | Black |
| 1 | Shell | Stainless Steel | 1 | Ni Plated |
| No. | Part Name | Material | Q"ty | Finishing |

達立科技股份有限公司
Dawning Precision Co.,Ltd.
TEL: 886-2-82271388 FAX: 886-2-82272198

| | | | | |
|----------|-------|---------|-------------|--|
| DESIGN | Jeff | SCALE | | |
| DRAWING | Jeff | UNIT | mm | |
| CHECK | Jeff | SIZE | A4: 210*297 | |
| APPROVAL | Baker | VERSION | 01 | |

| TOLERANCE UNLESS OTHERWISE STATED(mm) | PART NAME | USB C TYPE |
|---------------------------------------|------------|------------------|
| 0 _____ ±0.30 | PART NO | 18178-9K7A1-S186 |
| 0.0 _____ ±0.25 | DRAWING NO | |
| 0.00 _____ ±0.20 | DATE | 2023/05/23 |
| ANGIE _____ ±5° | | |

www.dawning2.com.tw