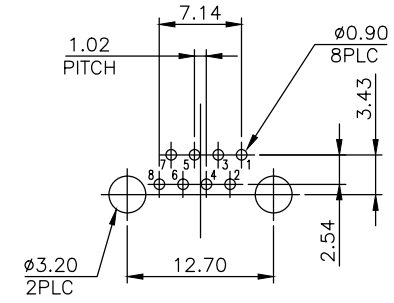
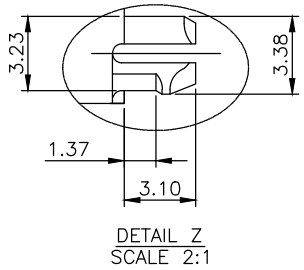
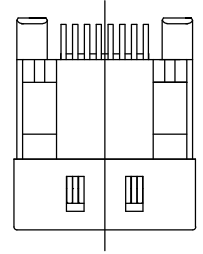


△				
△				
△				
△				
ZONE	REV	DESCRIPTION	DATE	APPD.

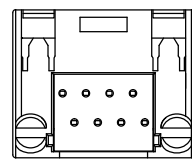
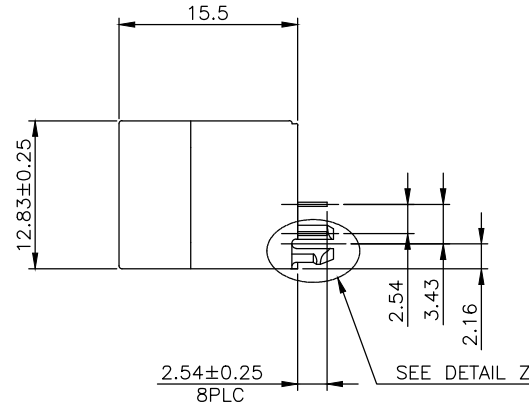
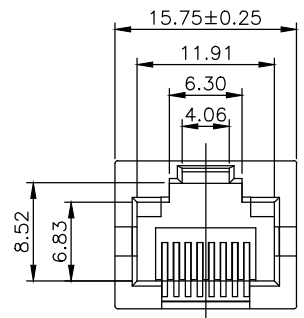
RoHS
Compatible

1
2
3
4



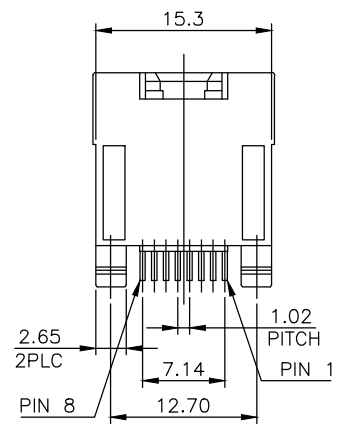
RECOMMENDED PCB LAYOUT
RECOMMENDED PCB THICKNESS: 1.6mm
TOLERANCE: ±0.05 (TOP VIEW)

R&D發行
2022.04.08
達立



45020-8P8C-5xB2-S187
1 2 3

1. Housing material
5 = PA46
2. Housing color
K = Black
Y = Yellow
3. Contact plating
B = Gold plated 3u"
4. Packing
2 = Tray



2	Contact	Phosphor Bronze	XX	Gold plated 3u" on contact area.
1	Housing	PA46	1	Black / UL94V-0
No.	Part Name	Material	Q'ty	Finishing

達立科技股份有限公司
Dawning Precision Co., Ltd.
TEL: 886-2-82271388 FAX: 886-2-82272198

DESIGN	Chung	SCALE		
DRAWING	Chung	UNIT	mm	
CHECK	Chung	SIZE	A4: 210*297	
APPROVAL	Baker	VERSION	01	

TOLERANCE UNLESS OTHERWISE STATED(mm)	PART NAME	RJ45
0 _____ ±0.50	PART NO	45020-8P8C-5xB2-S187
0.0 _____ ±0.35	DRAWING NO	
0.00 _____ ±0.25	DATE	2022.04.08
ANGLE _____ ±2°		

F E D C B A

1
2
3
4

www.dawning2.com.tw