

RoHS
Compatible

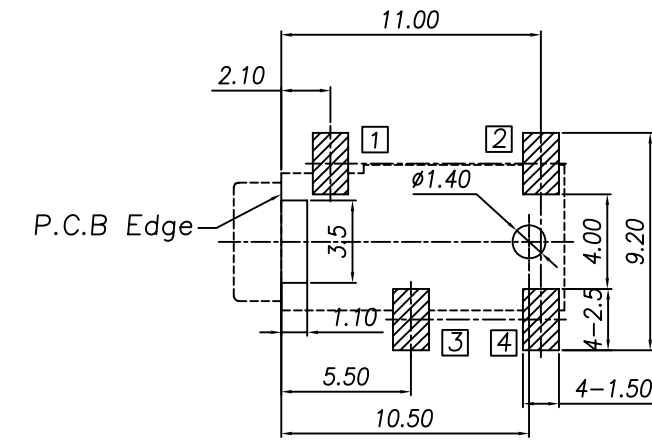
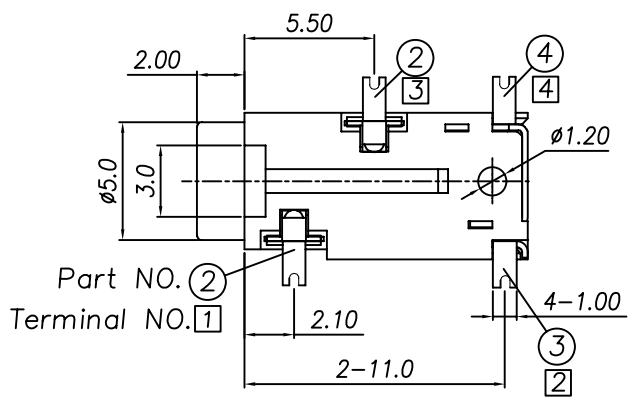
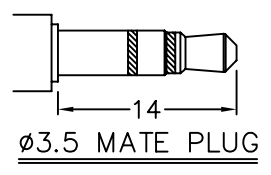
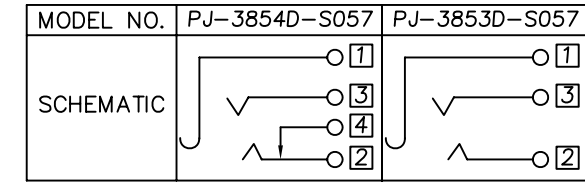
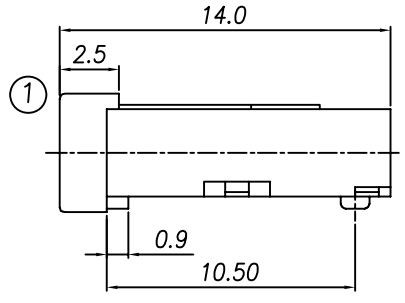
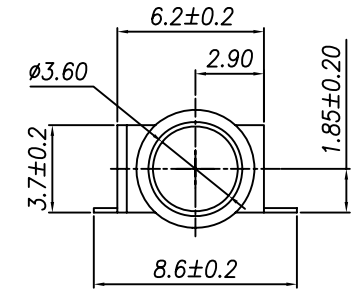
發行
2014.04.28
達立

△				
△				
△				
△				
ZONE	REV	DESCRIPTION	DATE	APPD.

Order Information:
PJ-358_D--S057

Terminal Plated :
□ =Ag Plated
G =Au Plated

Circuit Diagram



P.C.B Layout
(Copper-Side view)

Specifications

1. Rating : 30V 0.5A Max.
2. Contact resistance: 30mΩ Max.
After test : 50mΩ Max.
3. Insulation resistance : 100MΩ Min.
After test : 50MΩ Min.
4. Withstand voltage : 500VAC
5. Insertion and extraction force : 3-30N
6. Life test : 5,000 cycles Min.

④	Shunt Terminal	④	Brass t=0.25	1	Ag/Au Plated
③	Tip Spring	②	Berylium Bronze t=0.25	1	Ag/Au Plated
②	Ring Spring	① ③	Phosphor Bronze t=0.2	1	Ag/Au Plated
①	Housing		PA9T	1	Black
NO	Part Name		Material	Q'ty	Finishing

達立科技股份有限公司
Dawning Precision Co.,Ltd.
TEL: 886-2-82271388 FAX: 886-2-82272198

DESIGN	Sean	SCALE			TOLERANCE UNLESS OTHERWISE STATED(mm)	PART NAME	PHONE JACK
DRAWING	Sean	UNIT	mm		less than 10 — ±0.25	PART NO	PJ-385D-S057 SERIES
CHECK	Sean	SIZE	A4: 210*297		10~30 — ±0.3	DRAWING NO	
APPROVAL	Eric	VERSION	01		30~100 — ±0.5	DATE	2014/04/28
					ANGLE — ±2°		