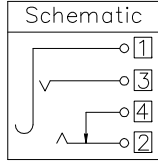


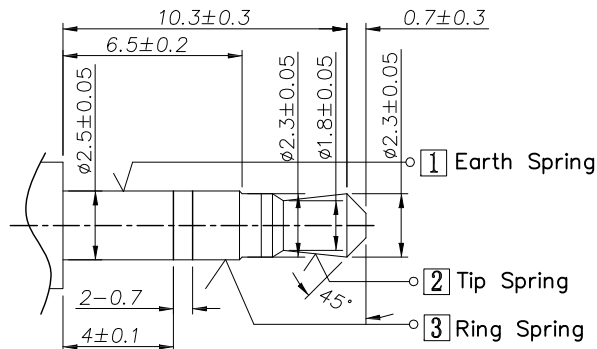
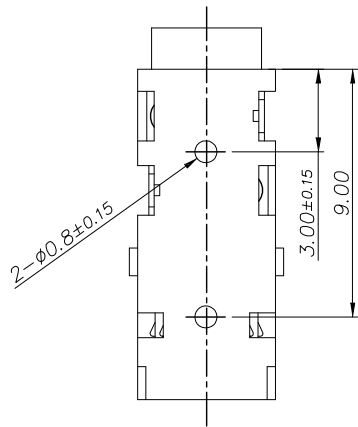
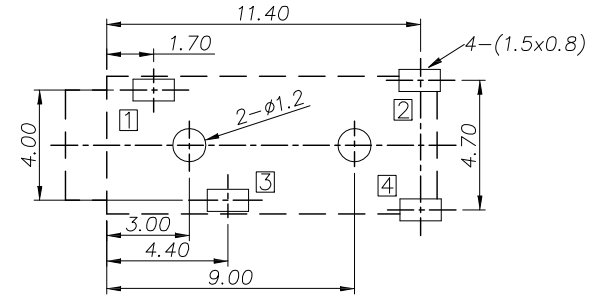
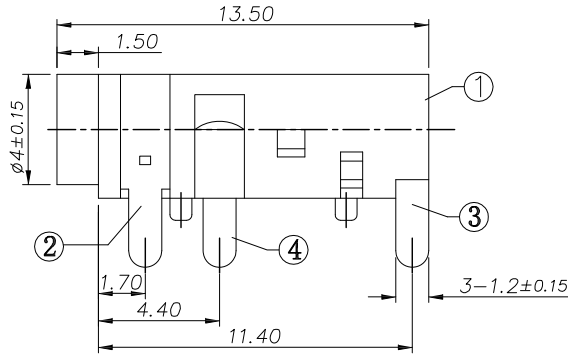
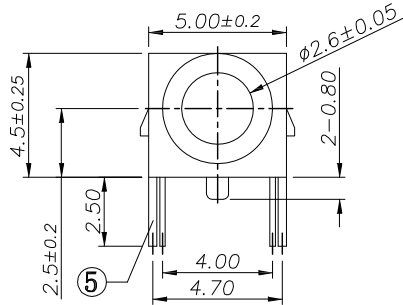
|      |     |             |      |       |
|------|-----|-------------|------|-------|
| ▲    |     |             |      |       |
| ▲    |     |             |      |       |
| ▲    |     |             |      |       |
| ▲    |     |             |      |       |
| ZONE | REV | DESCRIPTION | DATE | APPD. |



RD&發行  
2023.10.30  
達立

**RoHS**  
Compatible

RECOMMENDED P.C.B MOUNTING  
PATTERN DIMENSION(Bottom View)



Matching Plug

Specifications

1. Rating : DC 30V, 0.5A.
2. Contact resistance : 30mΩ Max.
3. Insulation resistance : 100MΩ Min.
4. Withstand voltage : 500V/mintue
5. Mating force : 0.3~3.0kgf
6. Unmating force : 0.3~3.0kgf
7. Operating life : 5,000 cycles.

| 5   | Shunt Terminal | 4 | Brass           | 1    | Ag Plated |
|-----|----------------|---|-----------------|------|-----------|
| 4   | Ring Spring    | 3 | Phosper Bronzes | 1    | Ag Plated |
| 3   | Tip Spring     | 2 | Phosper Bronzes | 1    | Ag Plated |
| 2   | Earth Spring   | 1 | Phosper Bronzes | 1    | Ag Plated |
| 1   | Housing        |   | PBT             | 1    | Black     |
| No. | Part Name      |   | Material        | Q"ty | Finishing |

**達立科技股份有限公司**  
**Dawning Precision Co.,Ltd.**  
TEL: 886-2-82271388 FAX: 886-2-82272198

|          |       |         |             |  |
|----------|-------|---------|-------------|--|
| DESIGN   | Jeff  | SCALE   |             |  |
| DRAWING  | Jeff  | UNIT    | mm          |  |
| CHECK    | Jeff  | SIZE    | A4: 210*297 |  |
| APPROVAL | Baker | VERSION | 02          |  |

|                                       |            |               |
|---------------------------------------|------------|---------------|
| TOLERANCE UNLESS OTHERWISE STATED(mm) | PART NAME  | PHONE JACK    |
| 0 _____ ±0.50                         | PART NO    | PJ-2008B-S243 |
| 0.0 _____ ±0.35                       | DRAWING NO |               |
| 0.00 _____ ±0.25                      | DATE       | 2023.10.30    |
| ANGLE _____ ±2°                       |            |               |