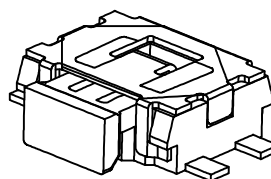
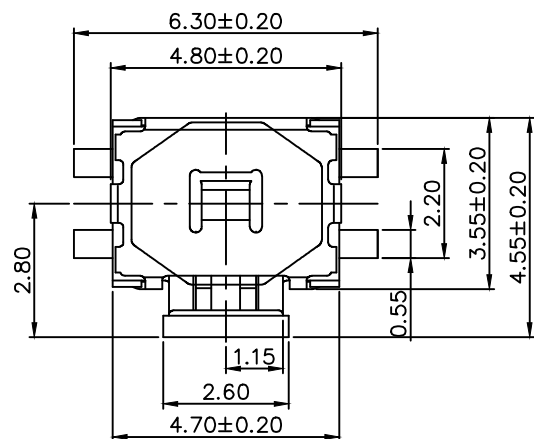


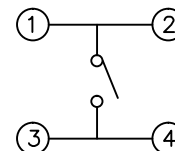
▲				
▲				
▲				
▲				
ZONE	REV	DESCRIPTION	DATE	APPD.

R&D
2018.12.26
達立

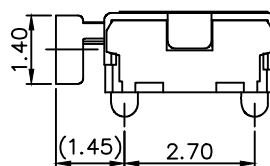
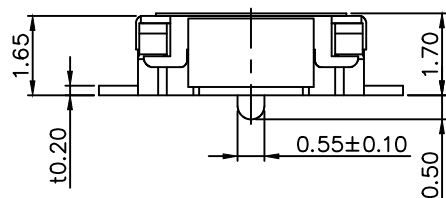
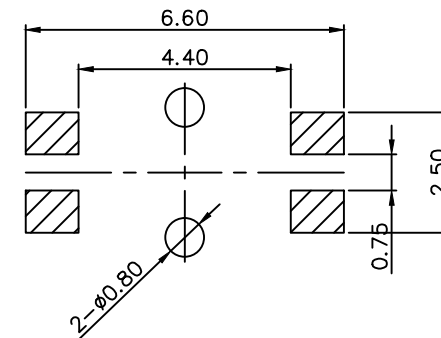
RoHS
Compatible



CIRCUIT DIAGRAM



RECOMMENED P.C.B MOUNTING PATTERN DIMENSION



Specifications

1. Rating : DC 12V, 50mA.
2. Travel : 0.20±0.1mm
3. Contact resistance : 100mΩ Max.
4. Insulation resistance : 100MΩ Min.
5. Operating force : 160±50gf
6. Operating life : 100,000 cycles Min.

6	Dust cover	Pi film		——
5	Stem	PA6T	1	Black
4	Cover	SUS	1	——
3	Contact	SUS	1	Ag Clad 0.50μm
2	Terminal	Phosphor Bronze	1	Ag Plated 0.20μm
1	Case	LCP	1	Black
No.	Part Name	Material	Q'ty	Finishing

達立科技股份有限公司



Dawning Precision Co., Ltd.

TEL: 886-2-82271388 FAX: 886-2-82272198

DESIGN	Eason	SCALE		
DRAWING	Eason	UNIT	mm	
CHECK	Eason	SIZE	A4: 210*297	
APPROVAL	Honda	VERSION	01	

TOLERANCE UNLESS OTHERWISE STATED(mm)	
0	±0.50
0.0	±0.40
0.00	±0.30
ANGLE	±2°

PART NAME	TACT SWITCH
PART NO	TS-A14S-160-PI-S085
DRAWING NO	
DATE	2018/12/26