

| | | | | |
|------|-----|-------------|------|-------|
| △ | | | | |
| △ | | | | |
| △ | | | | |
| △ | | | | |
| ZONE | REV | DESCRIPTION | DATE | APPD. |

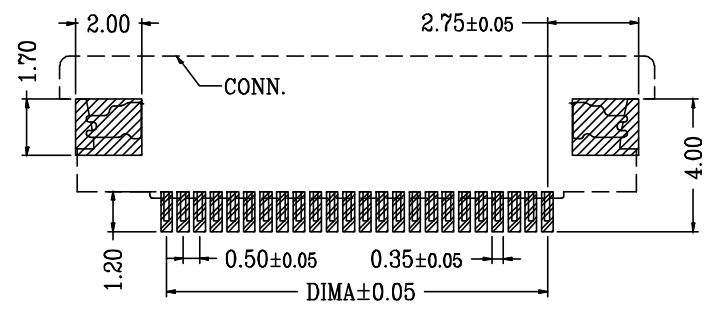
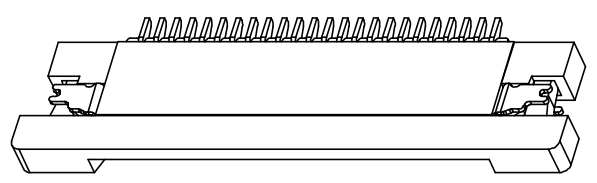
RoHS
Compatible

R&D發行
2024.03.26
達立

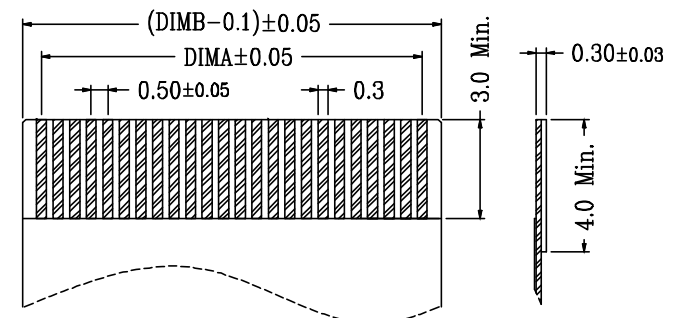
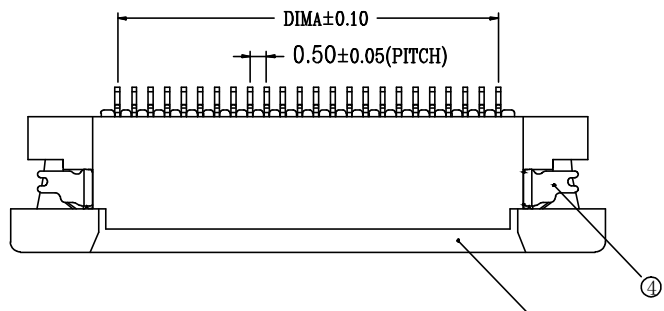
Order information :
FP051203-xx x xx N-S209
1 2 3 4

- Pin No. 04~60
- Packing :
0 = Tape & Reel
1 = Tube
- Plating spec :
G0 = Gold Flash
TM = Matte Tin Plated
- Color :
N = Natural

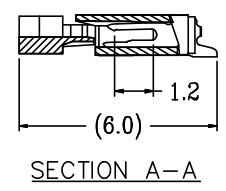
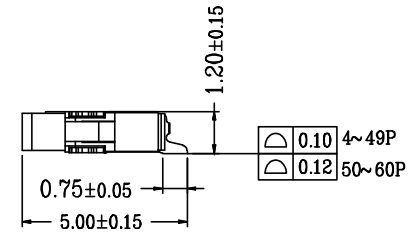
1
2
3
4



RECOMMENDED P.C.B MOUNTING
PATTERN DIMENSION



APPLICABLE FLAT CABLE



SECTION A-A

Specifications

- Voltage Rating : 50V AC/DC
- Contact Resistance : 30mΩ Max.
- Insulation Resistance : 500MΩ Min.
- Dielectric Withstanding Voltage: 150V AC / 1minute.
- Temperature Range : -25°C ~ +85°C

| 4 | Peg | Copper Alloy | 1 | Sn Plated |
|-----|-----------|---------------|-----|-----------|
| 3 | Contact | Copper Alloy | xx | —— |
| 2 | Cover | LCP ,UL94 V-0 | 1 | Black |
| 1 | Housing | LCP ,UL94 V-0 | 1 | Natural |
| No. | Part Name | Material | Qty | Finishing |

達立科技股份有限公司
Dawning Precision Co.,Ltd.
TEL: 886-2-82271388 FAX: 886-2-82272198

| | | | | |
|----------|---------|---------|-------------|--|
| DESIGN | Charles | SCALE | | |
| DRAWING | Charles | UNIT | mm | |
| CHECK | Charles | SIZE | A4: 210*297 | |
| APPROVAL | Baker | VERSION | 01 | |
| | | | | |

| | | |
|---------------------------------------|------------|-----------------------|
| TOLERANCE UNLESS OTHERWISE STATED(mm) | PART NAME | FPC 0.5mm PITCH (1/2) |
| 0 ——— ±0.50 | PART NO | FP051203-XXXXXN-S209 |
| 0.0 ——— ±0.30 | DRAWING NO | |
| 0.00 ——— ±0.20 | DATE | 2024/03/26 |
| ANGLE ——— ±2° | | |

www.dawning2.com.tw

F E D C B A

RoHS
Compatible

| | | | | |
|------|-----|-------------|------|-------|
| △ | | | | |
| △ | | | | |
| △ | | | | |
| △ | | | | |
| ZONE | REV | DESCRIPTION | DATE | APPD. |

| PIN NO. | Dimensions | | |
|---------|------------|-------|-------|
| | A | B | C |
| 4 | 1.50 | 2.56 | 7.96 |
| 5 | 2.00 | 3.06 | 8.46 |
| 6 | 2.50 | 3.56 | 8.96 |
| 7 | 3.00 | 4.06 | 9.46 |
| 8 | 3.50 | 4.56 | 9.96 |
| 9 | 4.00 | 5.06 | 10.46 |
| 10 | 4.50 | 5.56 | 10.96 |
| 11 | 5.00 | 6.06 | 11.46 |
| 12 | 5.50 | 6.56 | 11.96 |
| 13 | 6.00 | 7.06 | 12.46 |
| 14 | 6.50 | 7.56 | 12.96 |
| 15 | 7.00 | 8.06 | 13.46 |
| 16 | 7.50 | 8.56 | 13.96 |
| 17 | 8.00 | 9.06 | 14.46 |
| 18 | 8.50 | 9.56 | 14.96 |
| 19 | 9.00 | 10.06 | 15.46 |
| 20 | 9.50 | 10.56 | 15.96 |
| 21 | 10.00 | 11.06 | 16.46 |
| 22 | 10.50 | 11.56 | 16.96 |
| 23 | 11.00 | 12.06 | 17.46 |
| 24 | 11.50 | 12.56 | 17.96 |
| 25 | 12.00 | 13.06 | 18.46 |
| 26 | 12.50 | 13.56 | 18.96 |
| 27 | 13.00 | 14.06 | 19.46 |
| 28 | 13.50 | 14.56 | 19.96 |
| 29 | 14.00 | 15.06 | 20.46 |
| 30 | 14.50 | 15.56 | 20.96 |
| 31 | 15.00 | 16.06 | 21.46 |
| 32 | 15.50 | 16.56 | 21.96 |
| 33 | 16.00 | 17.06 | 22.46 |
| 34 | 16.50 | 17.56 | 22.96 |
| 35 | 17.00 | 18.06 | 23.46 |

| PIN NO. | Dimensions | | |
|---------|------------|-------|-------|
| | A | B | C |
| 36 | 17.50 | 18.56 | 23.96 |
| 37 | 18.00 | 19.06 | 24.46 |
| 38 | 18.50 | 19.56 | 24.96 |
| 39 | 19.00 | 20.06 | 25.46 |
| 40 | 19.50 | 20.56 | 25.96 |
| 41 | 20.00 | 21.06 | 26.46 |
| 42 | 20.50 | 21.56 | 26.96 |
| 43 | 21.00 | 22.06 | 27.46 |
| 44 | 21.50 | 22.56 | 27.96 |
| 45 | 22.00 | 23.06 | 28.46 |
| 46 | 22.50 | 23.56 | 28.96 |
| 47 | 23.00 | 24.06 | 29.46 |
| 48 | 23.50 | 24.56 | 29.96 |
| 49 | 24.00 | 25.06 | 30.46 |
| 50 | 24.50 | 25.56 | 30.96 |
| 51 | 25.00 | 26.06 | 31.46 |
| 52 | 25.50 | 26.56 | 31.96 |
| 53 | 26.00 | 27.06 | 32.46 |
| 54 | 26.50 | 27.56 | 32.96 |
| 55 | 27.00 | 28.06 | 33.46 |
| 56 | 27.50 | 28.56 | 33.96 |
| 57 | 28.00 | 29.06 | 34.46 |
| 58 | 28.50 | 29.56 | 34.96 |
| 59 | 29.00 | 30.06 | 35.46 |
| 60 | 29.50 | 30.56 | 35.96 |

達立科技股份有限公司
Dawning Precision Co., Ltd.
TEL: 886-2-82271388 FAX: 886-2-82272198

| | | | | |
|----------|---------|---------|-------------|--|
| DESIGN | Charles | SCALE | | |
| DRAWING | Charles | UNIT | mm | |
| CHECK | Charles | SIZE | A4: 210*297 | |
| APPROVAL | Baker | VERSION | 01 | |

| | |
|---------------------------------------|-------|
| TOLERANCE UNLESS OTHERWISE STATED(mm) | |
| 0 | ±0.50 |
| 0.0 | ±0.30 |
| 0.00 | ±0.20 |
| ANGLE | ±2° |

| | |
|------------|-----------------------|
| PART NAME | FPC 0.5mm PITCH (2/2) |
| PART NO | FP051203-XXXXXN-S209 |
| DRAWING NO | |
| DATE | 2024/03/26 |

www.dawning2.com.tw