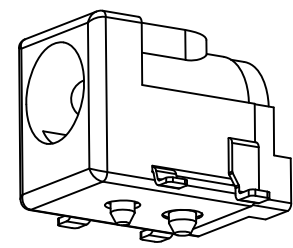


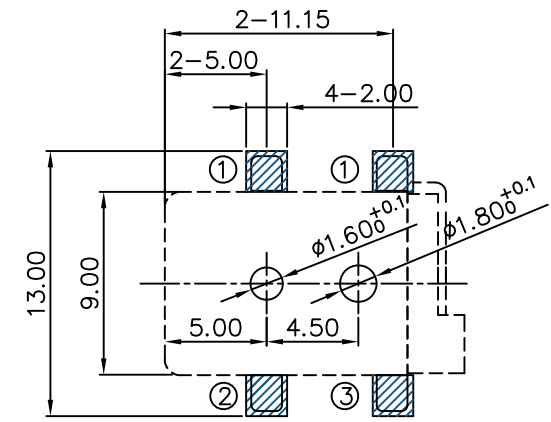
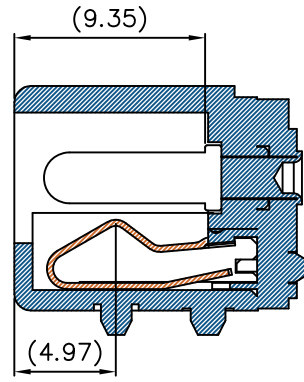
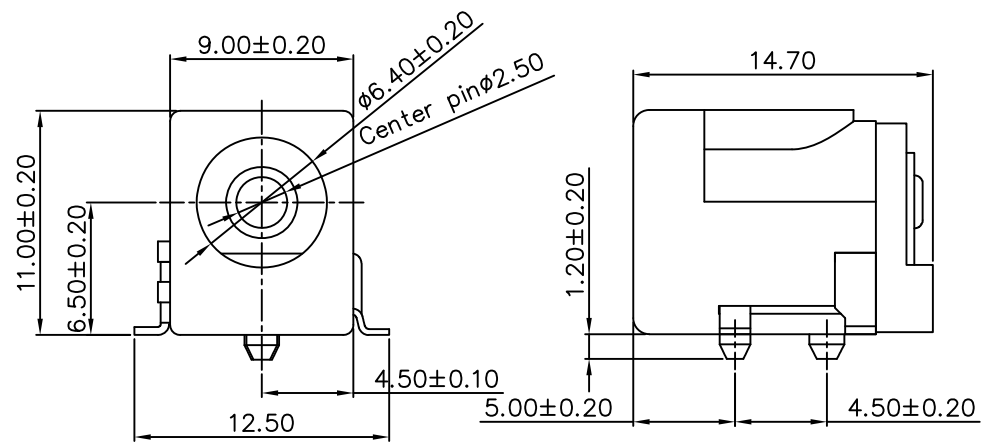
△				
△				
△				
△				
ZONE	REV	DESCRIPTION	DATE	APPD.

RoHS
Compatible

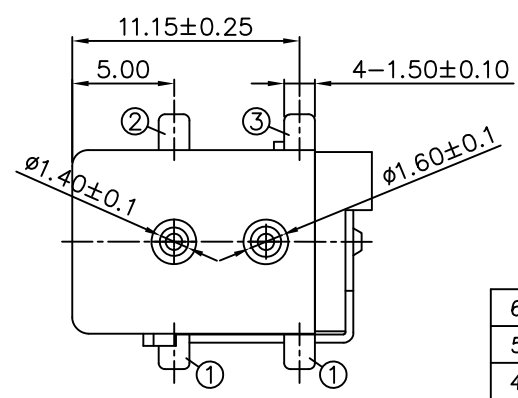
RD&發行
2022.09.14
達立



RECOMMENED P.C.B MOUNTING
PATTERN DIMENSION

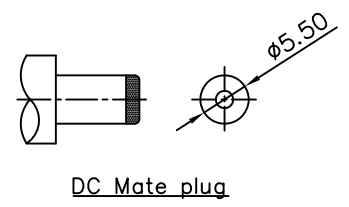


Schematic	
Center Pin	∅2.5mm



Specifications

- Rating : DC 20V, 5A Max.
- Contact resistance: 30mΩ Max.
- Insulation resistance : 100MΩ Min.
- Withstand voltage : 500VAC for 1 minute.
- Insertion and extraction force : 3-30N
- Life test : 5,000 cycles



6	Shunt Terminal	③	Brass t=0.4	1	Ag Plated
5	Tip Spring	②	Phosphor Bronze t=0.3	1	Ag Plated
4	Center Pin Terminal	①	Brass t=0.4	1	Ag Plated
3	Center Pin	①	Brass	1	Copper Sn/Ni Plated
2	Cover		PA10T	1	Black
1	Housing		PA10T	1	Black
NO	Part Name		Material	Q'ty	Finishing

達立科技股份有限公司
Dawning Precision Co., Ltd.
TEL: 886-2-82271388 FAX: 886-2-82272198

DESIGN	Jeff	SCALE	
DRAWING	Jeff	UNIT	mm
CHECK	Jeff	SIZE	A4: 210*297
APPROVAL	Baker	VERSION	04

TOLERANCE UNLESS OTHERWISE STATED(mm)	PART NAME	DC POWER SOCKET
0 ——— ±0.50	PART NO	DC-016H-2.5-S057
0.0 ——— ±0.40	DRAWING NO	
0.00 ——— ±0.30	DATE	2022/09/14
ANGLE ——— ±2°		

www.dawning2.com.tw