

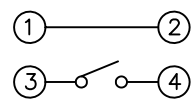
△				
△				
△				
△				
ZONE	REV	DESCRIPTION	DATE	APPD.

R&D發行
2022.11.17
達立

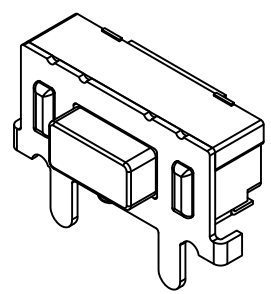
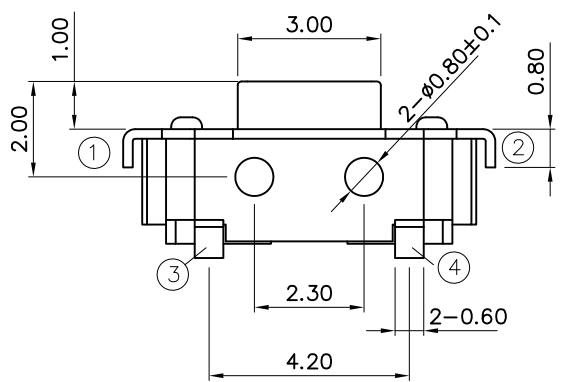
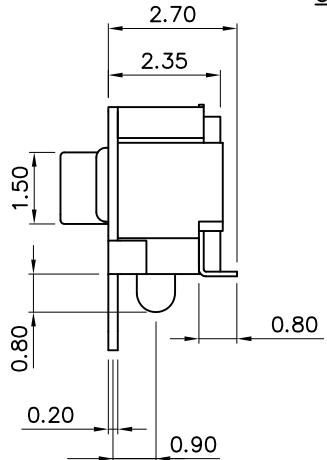
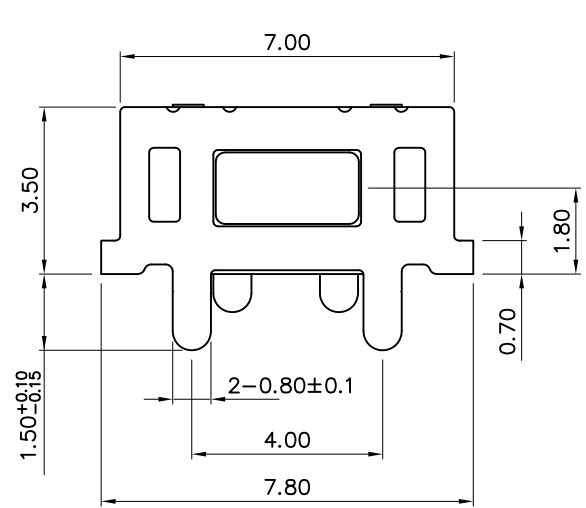
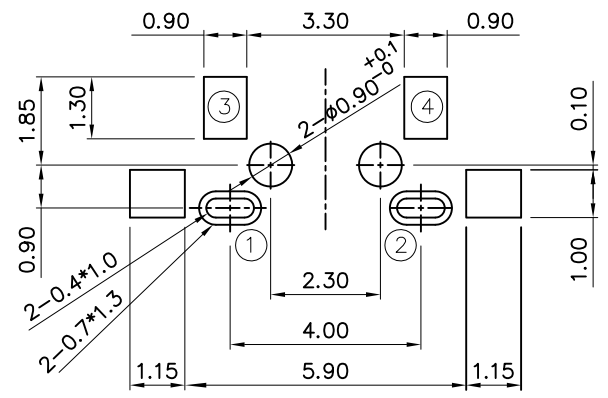
HF
Halogen Free

RoHS
Compatible

CIRCUIT DIAGRAM



RECOMMENED P.C.B MOUNTING
PATTERN DIMENSION



Specifications

1. Rating : DC 12V, 50mA.
2. Travel : 0.25±0.1mm
3. Contact resistance : 100mΩ Max.
4. Insulation resistance : 100MΩ Min.
5. Operating force : 160±50gf
6. Operating life : 50,000 cycles Min.

5	Terminal	Brass	1	Ag Plated
4	Case	PA10T	1	White / UL94V-0
3	Contact	SUS	1	Ag Plated
2	Stem	LCP	1	Black / UL94V-0
1	Cover	Brass	1	Ag Plated
No.	Part Name	Material	Q'ty	Finishing

達立科技股份有限公司
Dawning Precision Co.,Ltd.
TEL: 886-2-82271388 FAX: 886-2-82272198

DESIGN	Charles	SCALE		
DRAWING	Charles	UNIT	mm	
CHECK	Charles	SIZE	A4: 210*297	
APPROVAL	Baker	VERSION	A	

TOLERANCE UNLESS OTHERWISE STATED(mm)	PART NAME	TACT SWITCH
0 _____ ±0.50	PART NO	TS-A12EH40-P15-160-10T
0.0 _____ ±0.30	DRAWING NO	
0.00 _____ ±0.20	DATE	2022.11.17
ANGLE _____ ±2'		