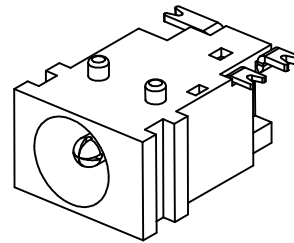


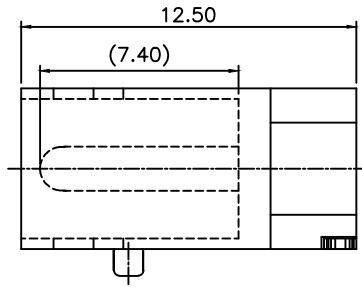
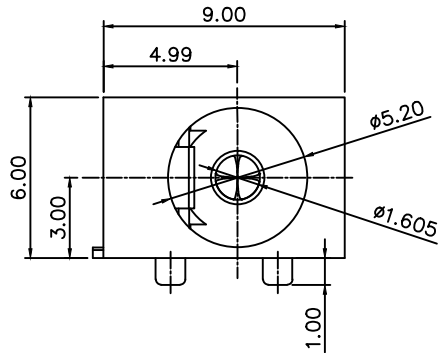
△				
△				
△				
△				
ZONE	REV	DESCRIPTION	DATE	APPD.

DC-023H-E-S026  
 PIN  
 E=φ1.65

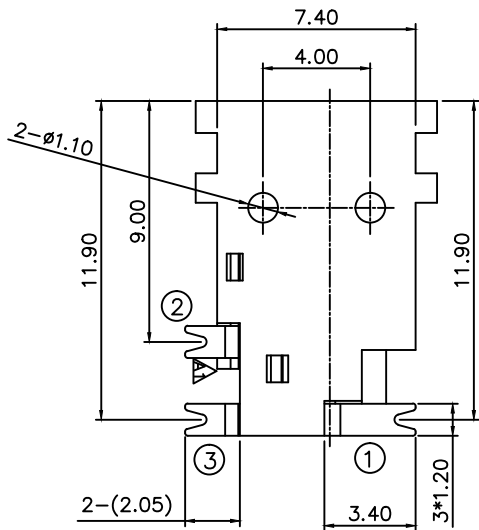
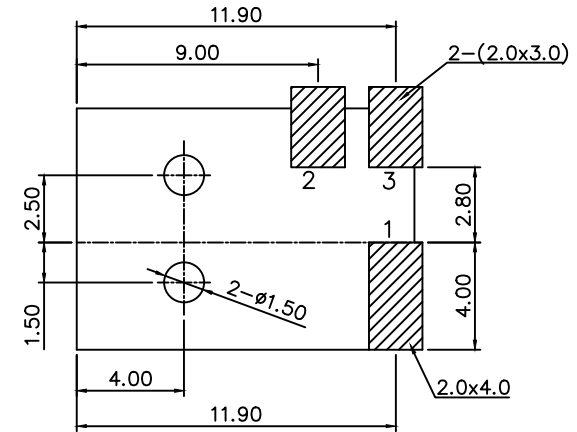


R&D發行  
 2024.07.22  
 達立

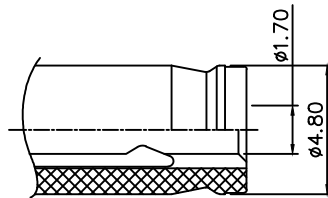
**RoHS**  
**Compatible**



RECOMMENDED P.C.B MOUNTING  
 PATTERN DIMENSION(TOP VIEW)



SCHEMATIC		1
		3
		2
CENTER PIN		φ1.65mm



DC MATE PLUG

**SPECIFICATIONS :**

1. Rating : DC 16V, 5A.
2. Contact resistance : 50mΩ Max.
3. Insulation resistance : 100MΩ Min.
4. Withstand voltage : 500V AC.
5. Insertion&withdrawal force : 0.3~2.0 Kgf
6. Life : 5000 Cycles Min.

4	CURVE PLECE	Brass	1	Ag Plated
3	SPRING PLECE	Phosphor Bronzes	1	Ag Plated
2	PIN	Brass	1	Ni Plated
1	Housing	PA9T	1	Black/UL94V-0
No.	Part Name	Material	Q'ty	Finishing

**達立科技股份有限公司**  
**Dawning Precision Co.,Ltd.**  
 TEL: 886-2-82271388 FAX: 886-2-82272198

DESIGN	Charles	SCALE	
DRAWING	Charles	UNIT	mm
CHECK	Charles	SIZE	A4: 210*297
APPROVAL	Baker	VERSION	02

TOLERANCE UNLESS OTHERWISE STATED(mm)	PART NAME	DC JACK
0 _____ ±0.50	PART NO	DC-023H-E-S026
0.0 _____ ±0.40	DRAWING NO	
0.00 _____ ±0.30	DATE	2024/07/22
ANGLE _____ ±2°		

www.dawning2.com.tw