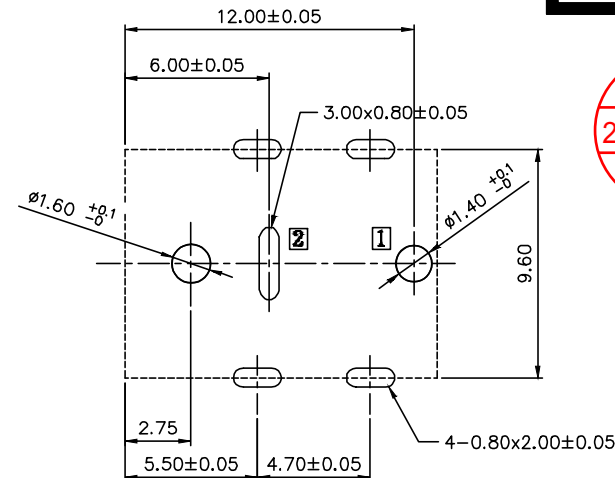
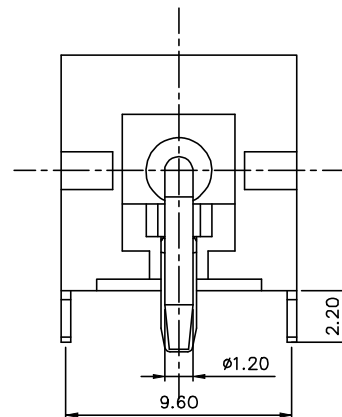
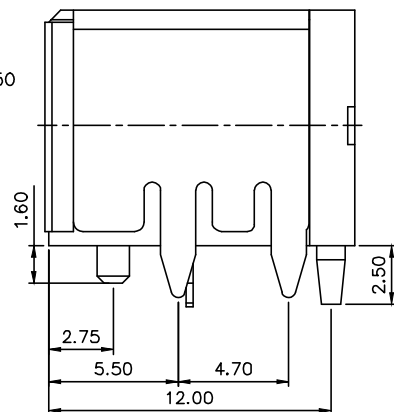
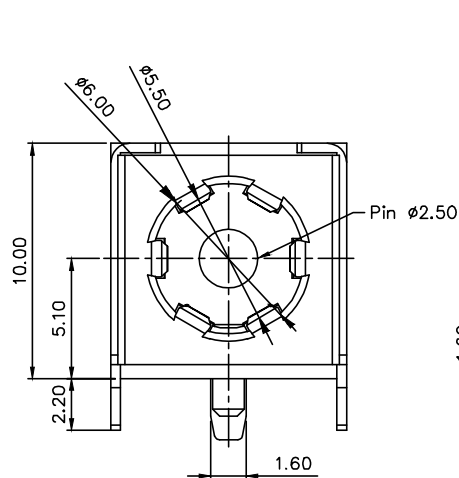


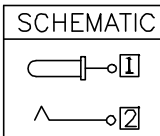
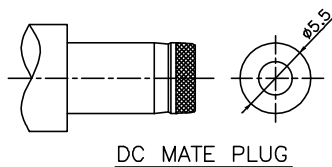
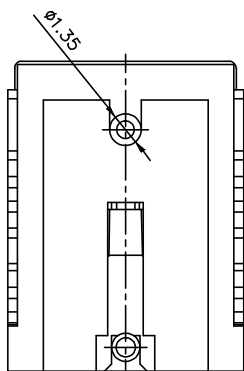
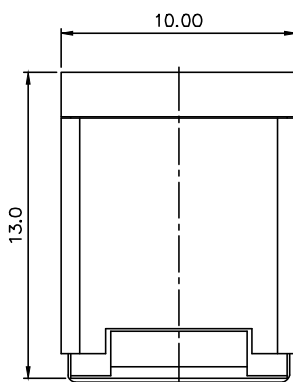
△				
△				
△				
△				
ZONE	REV	DESCRIPTION	DATE	APPD.

RoHS
Compatible

R&D發行
2022.03.31
達立



RECOMMENED P.C.B MOUNTING
PATTERN DIMENSION



Specification

- Rating : DC 20V, 10A
- Contact resistance : 50mΩ Max.
- Insulation resistance : 100MΩ Min. (500 VDC)
- Withstand voltage : 500VAC for 1 minute.
- Insertion and extraction force : 3N~30N.
- life test : 5,000 cycles min.

6	Ground	SUS	1	———
5	Shell	SPCC	1	Ni Plated
4	Terminal	SUS	1	———
3	Pin	Copper Alloy	1	Ag Plated
2	Spring	Copper Alloy	1	Sn Plated
1	Housing	PA9T	1	UL94V-0/Black
No.	Part Name	Material	Q'ty	Remarks

達立科技股份有限公司
Dawning Precision Co.,Ltd.
TEL:886-2-82271388 FAX:886-2-82272198

DESIGN	Horace	SCALE		
DRAWING	Horace	UNIT	mm	
CHECK	Horace	SIZE	A4: 210*297	
APPROVAL	Baker	VERSION	01	

TOLERANCE UNLESS OTHERWISE STATED(mm)	PART NAME	DC POWER SOCKET
0 ——— ±0.40	PART NO	DC-081HS-H-S242
0.0 ——— ±0.30	DRAWING NO	
0.00 ——— ±0.20	DATE	2022.03.31
ANGLE ——— ±2°		

www.dawning2.com.tw