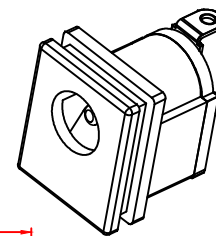


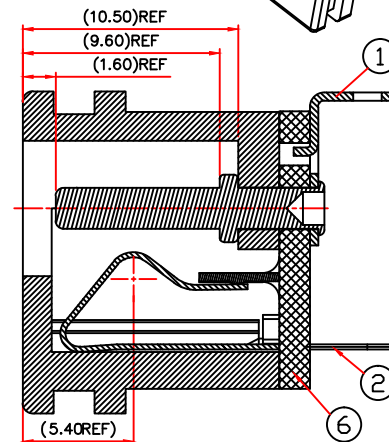
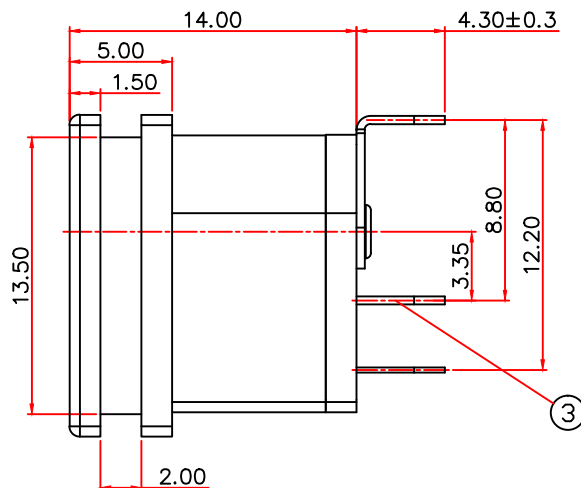
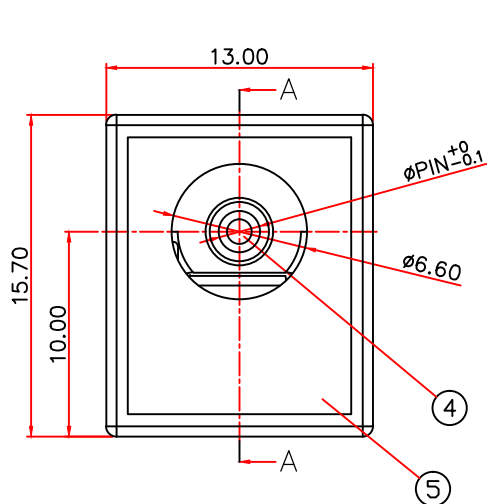
△				
△				
△				
△				
ZONE	REV	DESCRIPTION	DATE	APPD.

Order Information:  
DC-008-F-S026  
Center PIN : F=φ2.00

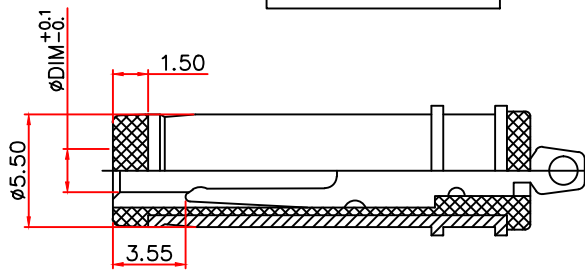
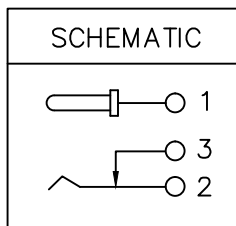
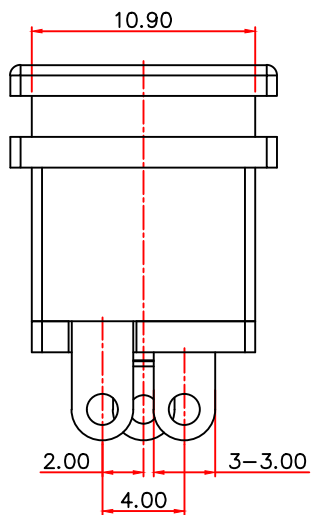
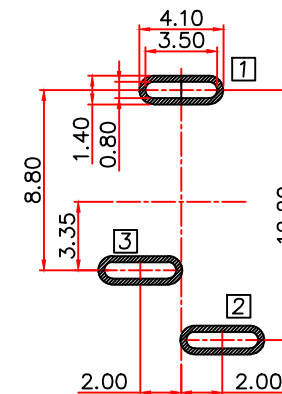
R&D發行  
2023.09.27  
達立



**RoHS**  
Compatible



RECOMMENDED P.C.B MOUNTING  
PATTERN DIMENSION



SPECIFICATIONS :

- Rating : DC 13.5V, 2.5A.
- Contact resistance : 30mΩ Max.(Initial)
- Insulation resistance : 100MΩ Min.
- Withstand voltage : 500V AC.
- Insertion&withdrawal force : 0.3~3.0 Kgf
- Life test : 5,000 Cycles Min.
- Operation temperature range : -25°C~+85°C

6	Cover	PBT	1	Black/UL94V-0
5	Housing	PBT	1	Black/UL94V-0
4	Center Pin	Copper Alloy	1	Ni Plated
3	Terminal ③	Brass t0.4	1	Matte Sn Plated
2	Terminal ②	Phosphor Bronze t0.25	1	Matte Sn Plated
1	Terminal ①	Brass t0.4	1	Matte Sn Plated
No.	Part Name	Material	Q'ty	Finishing

達立科技股份有限公司  
Dawning Precision Co.,Ltd.  
TEL: 886-2-82271388 FAX: 886-2-82272198

DESIGN	Charles	SCALE	
DRAWING	Charles	UNIT	mm
CHECK	Charles	SIZE	A4: 210*297
APPROVAL	Baker	VERSION	01

TOLERANCE UNLESS OTHERWISE STATED(mm)	PART NAME	DC POWER JACK
0 _____ ±0.50	PART NO	DC-008-F-S026
0.0 _____ ±0.40	DRAWING NO	
0.00 _____ ±0.30	DATE	2023/09/27
ANGLE _____ ±2°		

www.dawning2.com.tw