

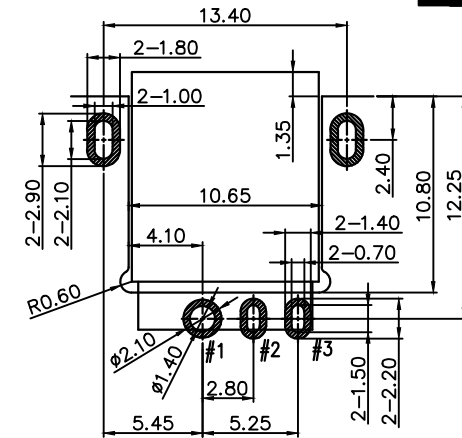
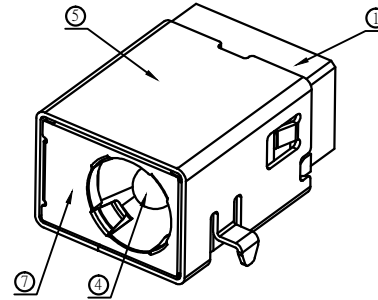
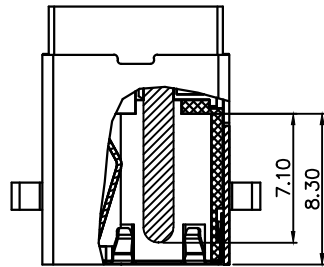
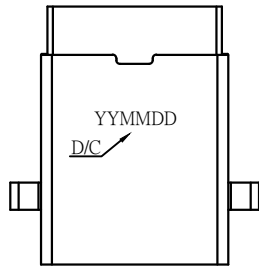
△				
△				
△				
△				
ZONE	REV	DESCRIPTION	DATE	APPD.

ORDER INFORMATION :  
DC-099ADHS-E-AU-S135

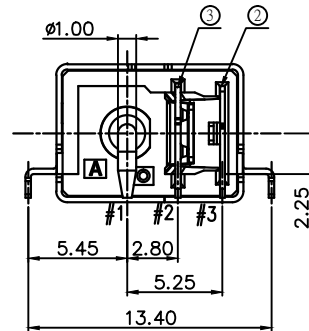
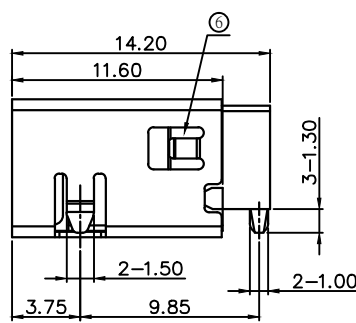
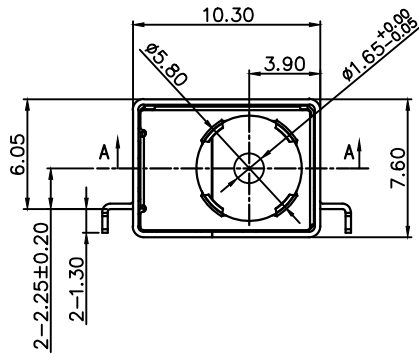
Center Pin : E=φ1.65mm

**RoHS**  
**Compatible**

R&D發行  
2023.11.08  
達立

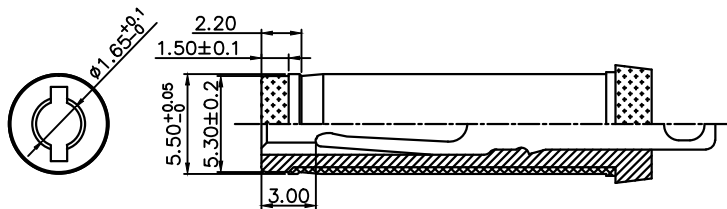


RECOMMENDED P.C.B MOUNTING PATTERN DIMENSION(TOP VIEW)

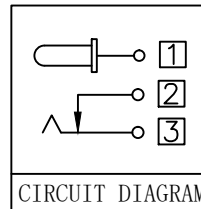


SPECIFICATIONS :

1. Rating : DC 20V, 10A.
2. Contact resistance : 30mΩ Max.
3. Insulation resistance : 100MΩ Min.
4. Withstand voltage : 500V AC.
5. Insertion&withdrawal force : 0.3~3.0 Kgf
6. Life : 5000 Cycles Min.



MATING PLUG



7	Sealed Plate	SUS	1	
6	Cover	LCP/UL 94V-0	1	Black
5	Shell	Brass	1	Ni Plated
4	Center pin	1 Copper Alloy	1	Gold Flash
3	Shunt terminal	2 Brass	1	Gold Flash On Contact Area; 100U" Sn On Solder Tail; All Over Ni 50U" Min.
2	Tip Spring	3 Phospher Bronzes	1	
1	Housing	LCP/UL 94V-0	1	Black
No.	Part Name	Material	Q'ty	Finishing

達立科技股份有限公司

Dawning Precision Co.,Ltd.

TEL: 886-2-82271388 FAX: 886-2-82272198

DESIGN	Charles	SCALE	
DRAWING	Charles	UNIT	mm
CHECK	Charles	SIZE	A4: 210*297
APPROVAL	Baker	VERSION	01

TOLERANCE UNLESS OTHERWISE STATED(mm)	PART NAME	DC POWER SOCKET
0 ——— ±0.50	PART NO	DC-099ADHS-E-AU-S135
0.0 ——— ±0.30	DRAWING NO	
0.00 ——— ±0.25	DATE	2023/11/08
ANGLE ——— ±2°		

www.dawning2.com.tw