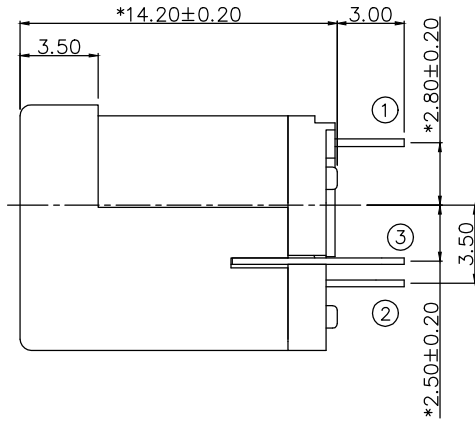
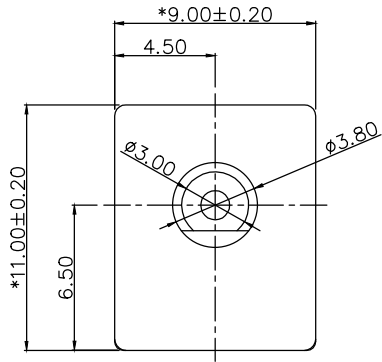
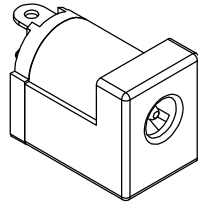
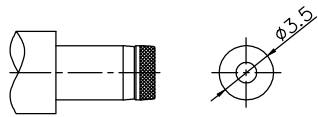
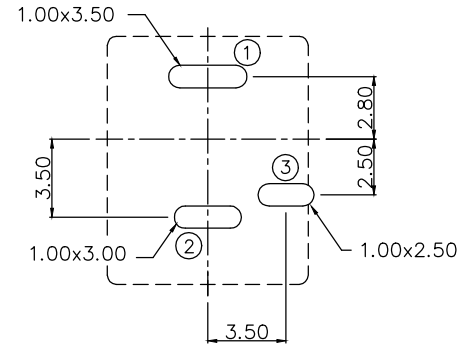


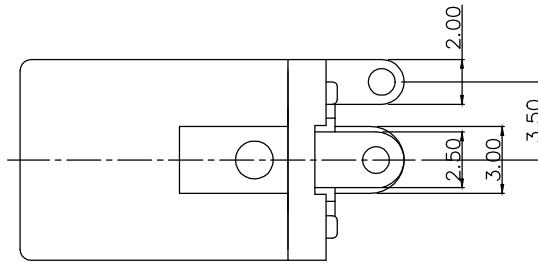
△				
△				
△				
△				
ZONE	REV	DESCRIPTION	DATE	APPD.



RECOMMENDED PCB LAYOUT



DC Mate plug



Schematic	1 3 2
Center Pin	φ1.30mm

5	Terminal	③	Brass	1	Sn Plated
4	Terminal	②	Copper Alloy	1	Sn Plated
3	Terminal	①	Brass	1	Sn Plated
2	Center Pin		Copper	1	Ni Plated
1	Housing		PBT	1	Black
No.	Part Name		Material	Q'ty	Remarks

*號為重要尺寸

達立科技股份有限公司



TEL: 886-2-82271388 FAX: 886-2-82272198

DESIGN	Charles	SCALE		
DRAWING	Charles	UNIT	mm	
CHECK	Charles	SIZE	A4: 210*297	
APPROVAL	Baker	VERSION	01	

TOLERANCE UNLESS OTHERWISE STATED(mm)		PART NAME	DC JACK
0	±0.50	PART NO	DC-056-C-S111
0.0	±0.40	DRAWING NO	
0.00	±0.30	DATE	2022/11/18
ANGLE	±2°		

www.dawning2.com.tw