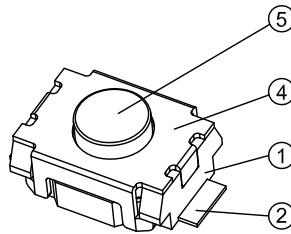
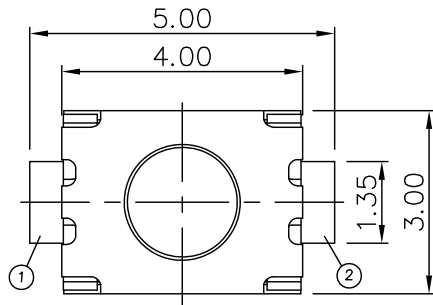


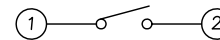
△				
△				
△				
△				
ZONE	REV	DESCRIPTION	DATE	APPD.

R&D
2018.06.08
達立

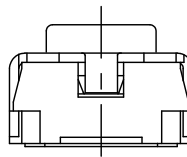
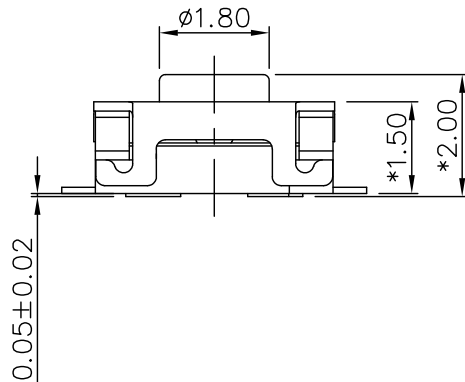
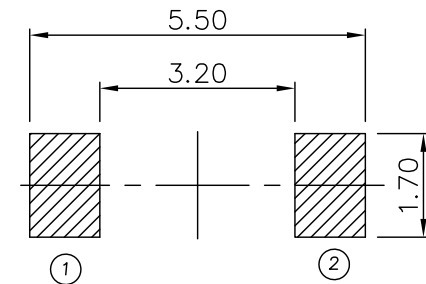
RoHS
Compatible



CIRCUIT DIAGRAM



RECOMMENED P.C.B MOUNTING PATTERN DIMENSION



Specifications

1. Rating : DC 12V, 50mA.
2. Travel : 0.2±0.1mm
3. Contact resistance : 100mΩ Max.
4. Insulation resistance : 100MΩ Min.
5. Operating force : 160±50gf
6. Operating life : 100,000 cycles.
7. * = Critical Dimension

6	Dust cover	Pi film	1	Yellow
5	Stem	LCP	1	Black
4	Cover	SUS	1	—
3	Contact	SUS	2	Ag Clad
2	Terminal	Brass	1	Ag Plated
1	Case	LCP	1	White
No.	Part Name	Material	Q'ty	Finishing

達立科技股份有限公司
Dawning Precision Co., Ltd.
TEL: 886-2-82271388 FAX: 886-2-82272198

DESIGN	Eason	SCALE		
DRAWING	Eason	UNIT	mm	
CHECK	Eason	SIZE	A4: 210*297	
APPROVAL	Honda	VERSION	01	

TOLERANCE UNLESS OTHERWISE STATED(mm)	
0	±0.35
0.0	±0.30
0.00	±0.20
ANGLE	±2°

PART NAME	TACT SWITCH
PART NO	TS-A85K-2ED-S085
DRAWING NO	
DATE	2018/06/08