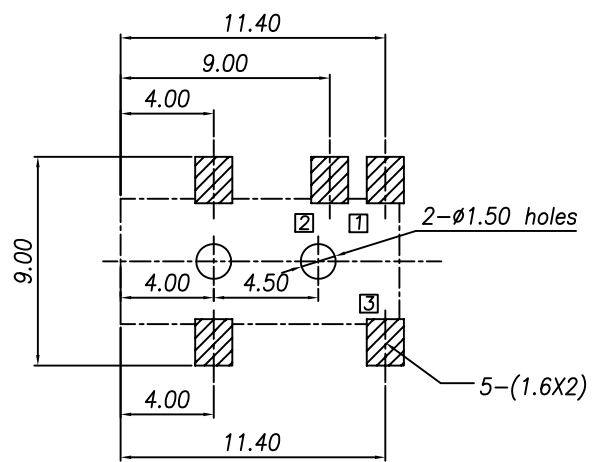
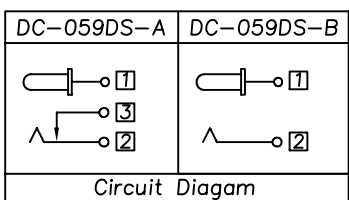


RoHS
Compatible

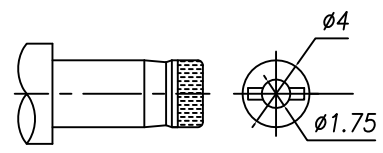
△				
△				
△				
△				
ZONE	REV	DESCRIPTION	DATE	APPD.



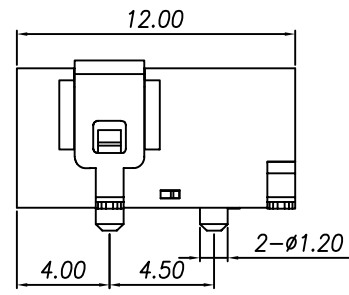
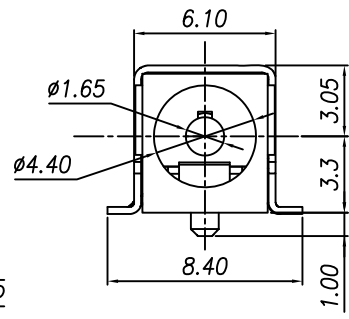
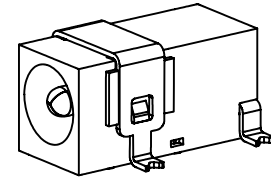
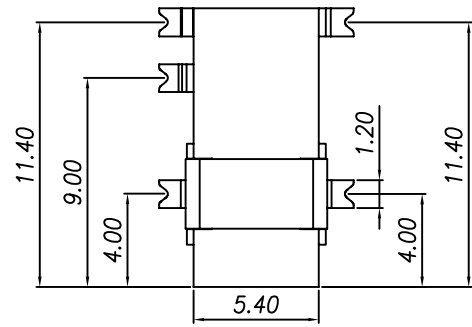
P.C.B Layout
(Copper-Side view)



□ : Terminal



DC MATE PLUG



發行
2012.07.02
達立

Specifications

1. Rating : DC6.3V 2A Max.
2. Contact resistance: 30mΩ Max.
3. Insulation resistance : 100MΩ Min.
4. Withstand voltage : 500VAC
5. Insertion and extraction force : 3-30N
6. Life test : 5,000 cycles Min.

⑤	Frame	Brass t=0.3	1	Ag Plated
④	Shunt Terminal	Brass t=0.3	1	Ag Plated
③	Tip Spring	Phosphor Bronze t=0.3	1	Ag Plated
②	Center Pin	Brass t=0.3	1	Ag Plated
①	Housing	PA9T	1	
NO	Part Name	Material	Q'ty	Finishing

達立科技股份有限公司
Dawning Precision Co., Ltd.
TEL: 886-2-82271388 FAX: 886-2-82272198

DESIGN	Will	SCALE		
DRAWING	Will	UNIT	mm	
CHECK	Will	SIZE	A4: 210*297	
APPROVAL	Eric	VERSION	01	

TOLERANCE UNLESS OTHERWISE STATED(mm)	PART NAME	DC POWER SOCKET
less than 10 — ±0.2	PART NO	DC-059DS-S057 SERIES
10~30 — ±0.3	DRAWING NO	
30~100 — ±0.5	DATE	2011/07/01
ANGIE — ±2°		

www.dawning2.com.tw