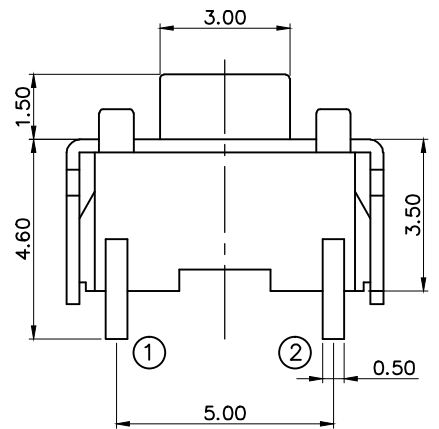
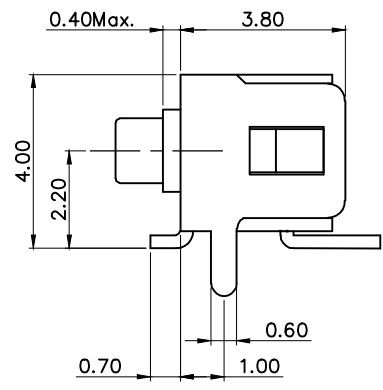
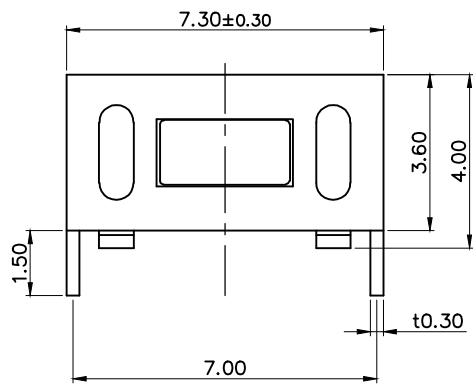


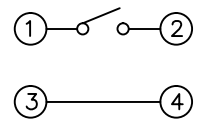
▲				
▲				
▲				
▲				
ZONE	REV	DESCRIPTION	DATE	APPD.

R&D
2018.06.14
達立

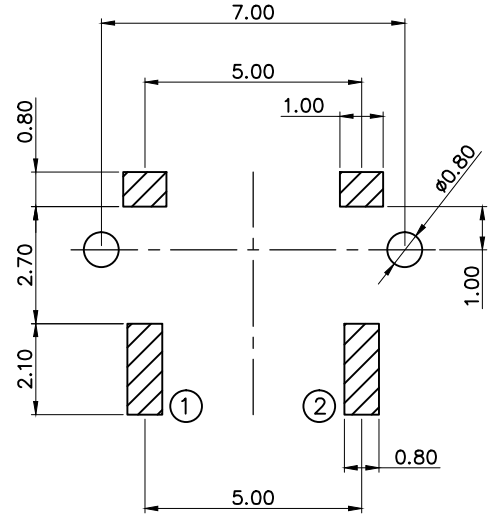
RoHS
Compatible



CIRCUIT DIAGRAM



RECOMMENED P.C.B MOUNTING
PATTERN DIMENSION
(Bottom view)



Specifications

1. Rating : DC 12V, 50mA.
2. Contact resistance : 100mΩ Max.
3. Insulation resistance : 100MΩ Min.
4. Operating force : 100±50gf
5. Operating life : 80,000 cycles Min.

5	Stem	PPA	1	White
4	Cover	Brass	1	Sn Plated
3	Contact	SUS	1	Ag Clad
2	Terminal	Brass	1	Ag Plated
1	Case	PPA	1	Black
No.	Part Name	Material	Q'ty	Finishing

達立科技股份有限公司
Dawning Precision Co., Ltd.
TEL: 886-2-82271388 FAX: 886-2-82272198

DESIGN	Eason	SCALE		
DRAWING	Eason	UNIT	mm	
CHECK	Eason	SIZE	A4: 210*297	
APPROVAL	Honda	VERSION	01	

TOLERANCE UNLESS OTHERWISE STATED(mm)	PART NAME	TACT SWITCH
0 ——— ±0.35	PART NO	TSS36-100-W-S184
0.0 ——— ±0.30	DRAWING NO	
0.00 ——— ±0.20	DATE	2018/06/14
ANGLE ——— ±3°		