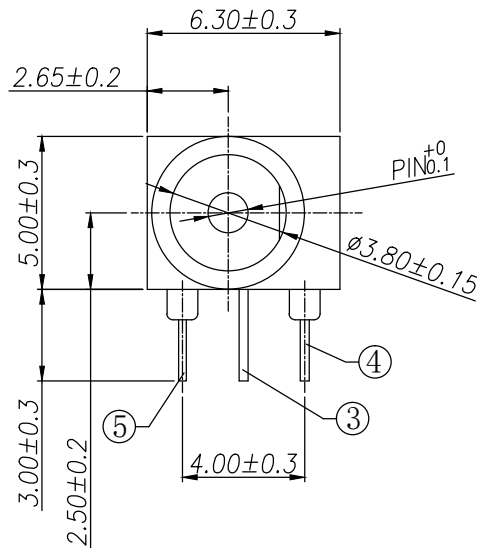
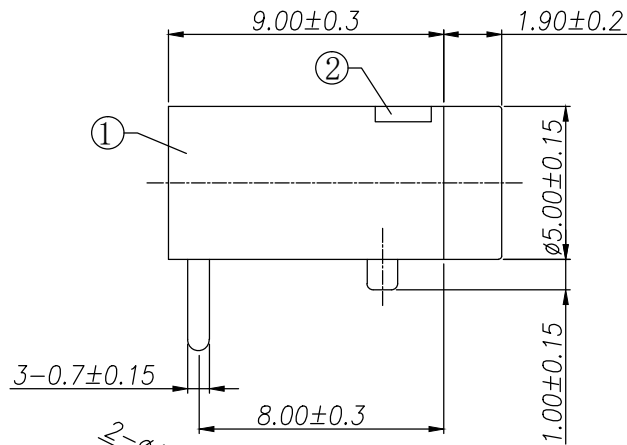


△				
△				
△				
△				
ZONE	REV	DESCRIPTION	DATE	APPD.

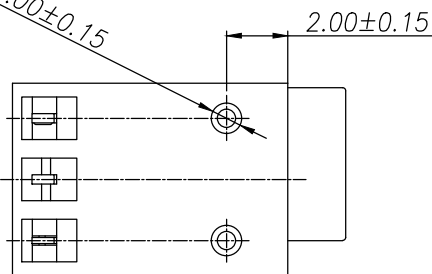
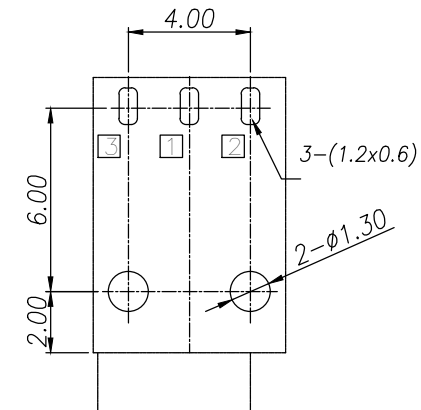
DC-022-C-S057
 ∅Pin
 C=∅1.30

R&D發行
 2022.09.22
 達立

RoHS
Compatible

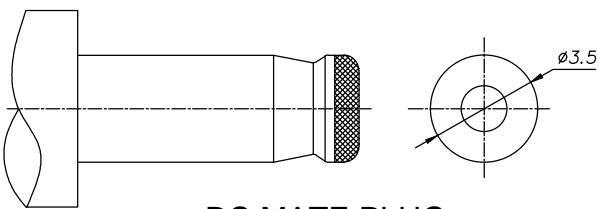


RECOMMENDED P.C.B MOUNTING
 PATTERN DIMENSION

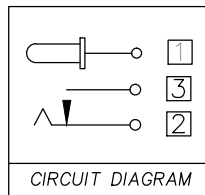


Specifications

- Rating : DC 20V, 2A.
- Contact resistance : 50mΩ Max.
- Insulation resistance : 100mΩ Min.
- Withstand voltage : 500VAC
- Insertion and extraction force : 3-30N
- Operating life : 5,000 cycles
- Operation temperature range : -20°C~70°C



DC MATE PLUG



No.	Part Name	Material	Q'ty	Finishing
5	Shunt Terminal	Brass t=0.3	1	Ag Plated
4	Tip Spring	SUS t=0.2	1	Ag Plated
3	Center Pin	Brass t=0.3	1	Ag Plated
2	Cover	PA66/PBT	1	Black
1	Housing	PA66/PBT	1	Black

達立科技股份有限公司
Dawning Precision Co.,Ltd.
 TEL: 886-2-82271388 FAX: 886-2-82272198

DESIGN	Charles	SCALE	
DRAWING	Charles	UNIT	mm
CHECK	Charles	SIZE	A4: 210*297
APPROVAL	Baker	VERSION	01

TOLERANCE UNLESS OTHERWISE STATED(mm)	PART NAME	DC POWER JACK
0 _____ ±0.40	PART NO	DC-022-C-S057
0.0 _____ ±0.35	DRAWING NO	
0.00 _____ ±0.30	DATE	2022.09.22
ANGLE _____ ±2°		