

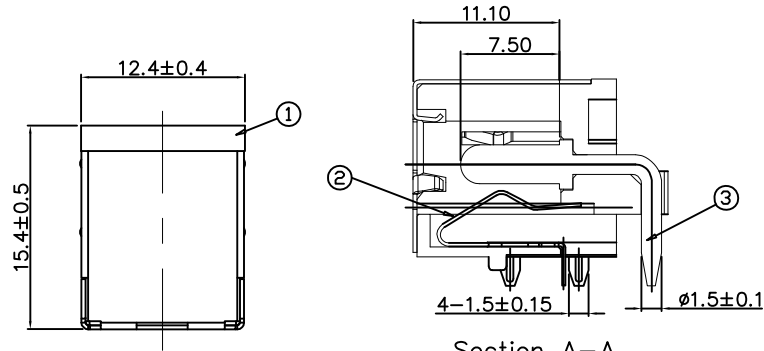
△				
△				
△				
△				
ZONE	REV	DESCRIPTION	DATE	APPD.

Order Information:
DC-079HS-H-S243

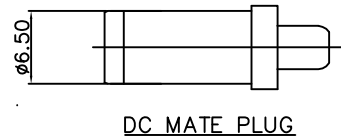
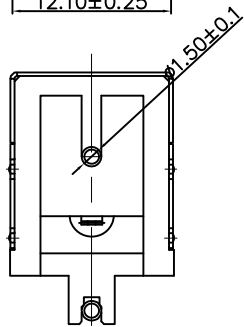
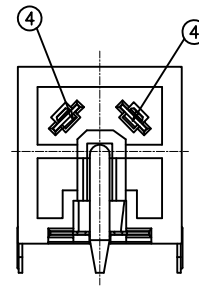
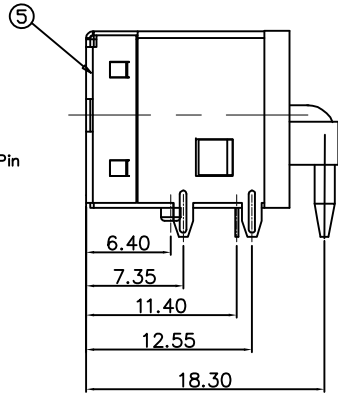
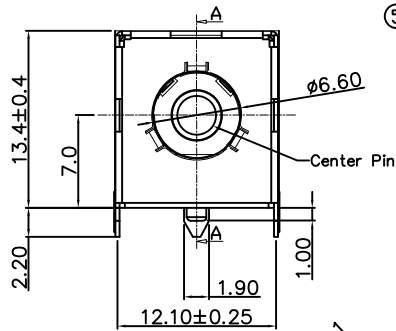
Center Pin:
H: $\phi 2.50$

RD&發行
2022.10.25
達立

RoHS
Compatible

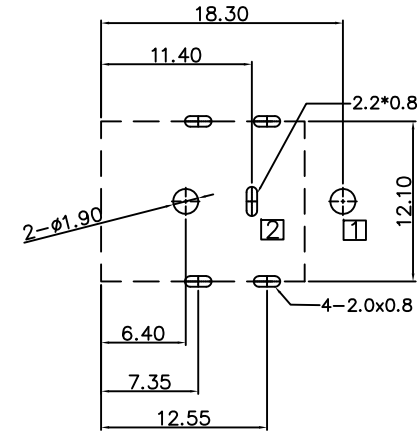


Section A-A



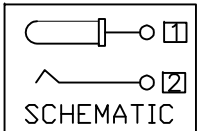
DC MATE PLUG

RECOMMENDED P.C.B MOUNTING
PATTERN DIMENSION



Specification

1. Rating : DC 20V, 7A.
2. Contact resistance : $\leq 50\text{m}\Omega$;
3. Insulation resistance : $\geq 100\text{M}\Omega$
4. Withstand voltage : 500VAC.
5. Insertion and extraction force : 3N~30N.
6. life test : 5,000 cycles.



5	Sheel	Brass t0.30	1	Ni Plated
4	Terminal	Brass t0.25	1	Sn Plated
3	Pin [1]	Brass	1	Ag Plated
2	Spring [2]	Phosphor Bronzes t0.25	1	Sn Plated
1	Housing	PA9T	1	Black / UL94V-0
No.	Part Name	Material	Q'ty	Remarks

達立科技股份有限公司

Dawning Precision Co., Ltd.

TEL: 886-2-82271388 FAX: 886-2-82272198

DESIGN	Jeff	SCALE		
DRAWING	Jeff	UNIT	mm	
CHECK	Jeff	SIZE	A4: 210*297	
APPROVAL	Baker	VERSION	02	

TOLERANCE UNLESS OTHERWISE STATED(mm)	PART NAME	DC POWER SOCKET
0 ——— ±0.50	PART NO	DC-079HS-H-S243
0.0 ——— ±0.40	DRAWING NO	
0.00 ——— ±0.30	DATE	2022.10.25
ANGLE ——— ±2°		