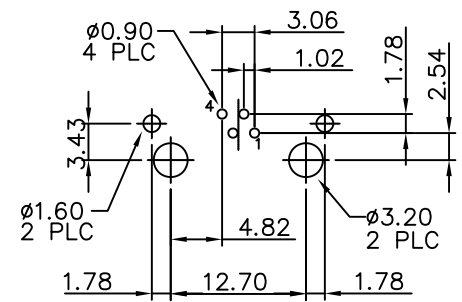


RoHS
Compatible

RD&發行
2023.05.10
達立

▲				
▲				
▲				
▲				
ZONE	REV	DESCRIPTION	DATE	APPD.

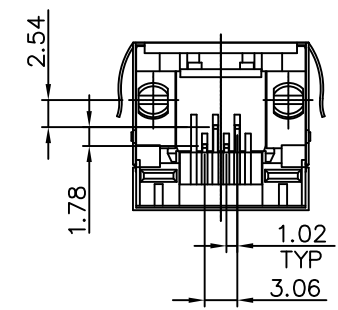
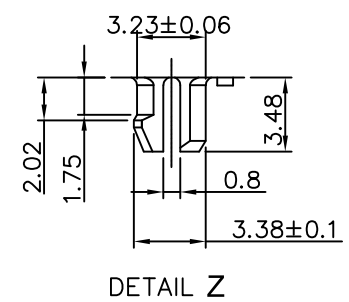
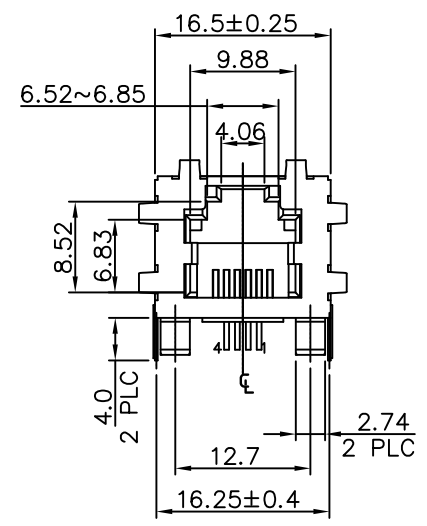
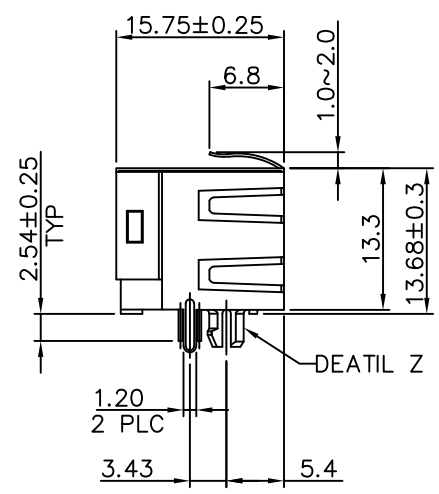


RECOMMENDED PCB LAYOUT (THICKNESS: 1.6mm)
DIMENSION TOLERANCE: ±0.05
TOP VIEW

45028-6P4C-5K4H2-T-S187
1 2 3 4 5 6

- Housing material
5 = NY46
- Housing color
K = Black
- Shell material / plating
4 = Copper alloy / NI Plating
- Contact plating
H = Gold plating 50 u"
- Packing
2 = Tray
- T = With Transformer

3	Shield	Copper Alloy T=0.25mm	1	Ni Plated
2	Contact	PBS T=0.35mm	1	Au Plated on contact area.
1	Housing	NY46 UL94V-0	1	Black
No.	Part Name	Material	Q"ty	Finishing



達立科技股份有限公司
Dawning Precision Co., Ltd.
TEL: 886-2-82271388 FAX: 886-2-82272198

DESIGN	Jeff	SCALE	
DRAWING	Jeff	UNIT	mm
CHECK	Jeff	SIZE	A4: 210*297
APPROVAL	Baker	VERSION	02

TOLERANCE UNLESS OTHERWISE STATED(mm)	PART NAME	MODULAR JACK RJ11
0 ——— ±0.30	PART NO	45028-6P4C-5K4H2-T-S187
0.0 ——— ±0.25	DRAWING NO	
0.00 ——— ±0.20	DATE	2023/05/10
ANGLE ——— ±2°		

www.dawning2.com.tw