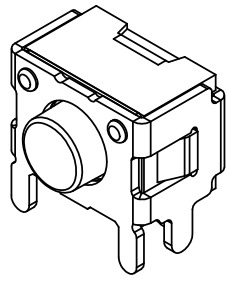
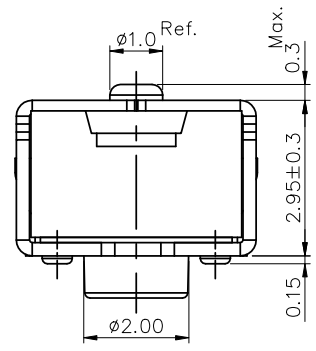


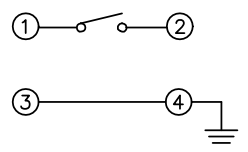
RoHS
Compatible

R&D發行
2023.08.21
達立

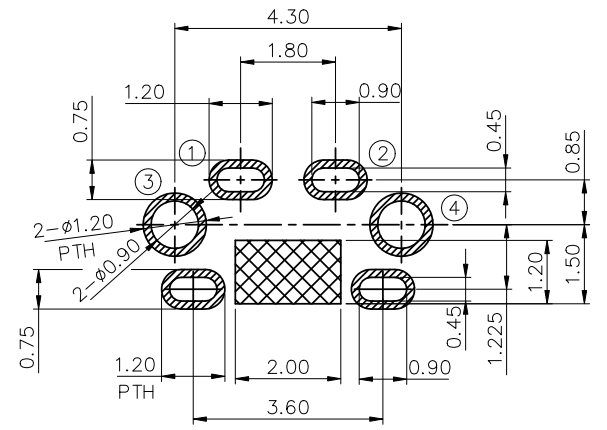
△				
△				
△				
△				
ZONE	REV	DESCRIPTION	DATE	APPD.



CIRCUIT DIAGRAM



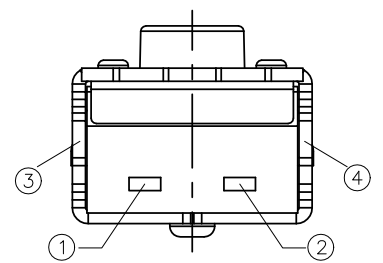
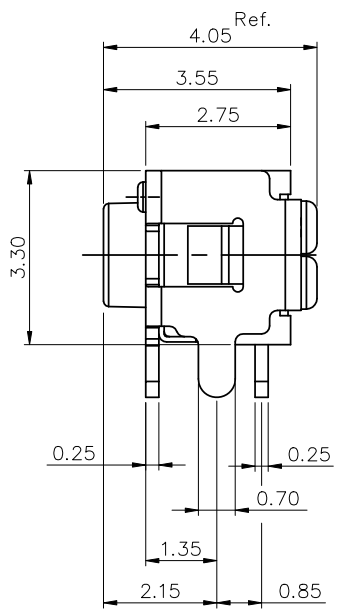
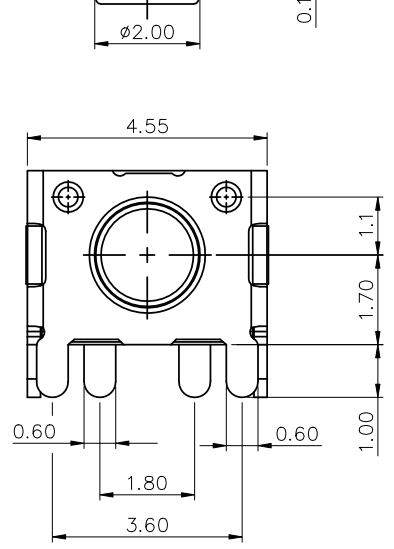
RECOMMEN P.C.B MOUNTING PATTERN DIMENSION



VIA AND TRACE KEEPOUT AREA

Specifications

1. Rating : DC 12V, 50mA.
2. Travel : 0.2±0.1mm
3. Contact resistance : 100mΩ Max.
4. Insulation resistance : 100MΩ Min.
5. Operating force : 160±50gf
6. Operating life : 1,000,000 cycles Min.



7	PI sheet	PI film	1	————
6	L-Cover	SUS 301	1	————
5	Cover	SUS 304	1	Ag Plated
4	Stem	PA10T	1	Nature
3	Contact	SUS 301	2	Ag Plated
2	Terminal	PBS C5210	1	Ag Plated
1	Case	PA10T	1	Black
No.	Part Name	Material	Q'ty	Finishing

達立科技股份有限公司
Dawning Precision Co., Ltd.
TEL: 886-2-82271388 FAX: 886-2-82272198

DESIGN	Charles	SCALE		
DRAWING	Charles	UNIT	mm	
CHECK	Charles	SIZE	A4: 210*297	
APPROVAL	Baker	VERSION	01	

TOLERANCE UNLESS OTHERWISE STATED(mm)	PART NAME	TACT SWITCH
0 ——— ±0.30	PART NO	DNSS01-EG2-160PI-NA
0.0 ——— ±0.25	DRAWING NO	
0.00 ——— ±0.20	DATE	2023.8.21
ANGLE ——— ±2°		