

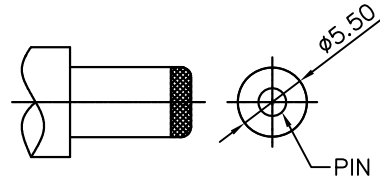
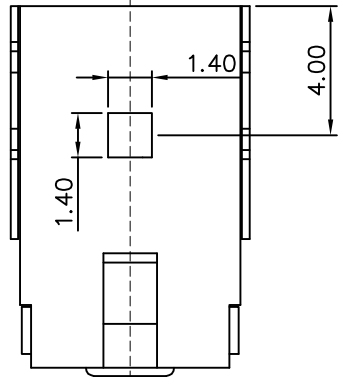
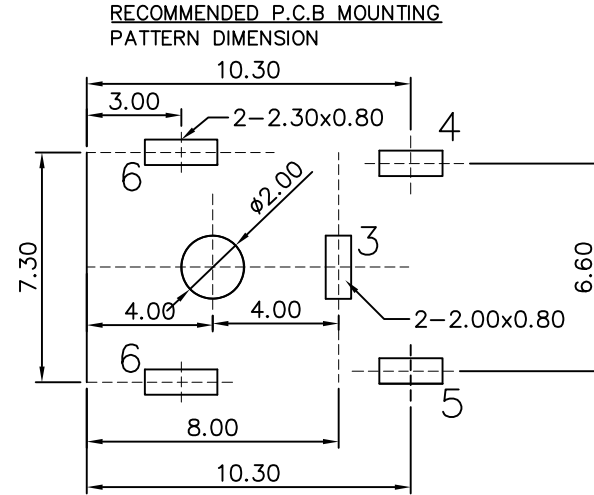
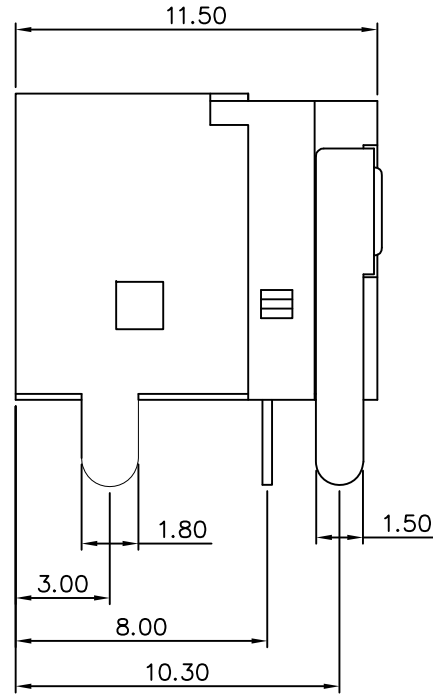
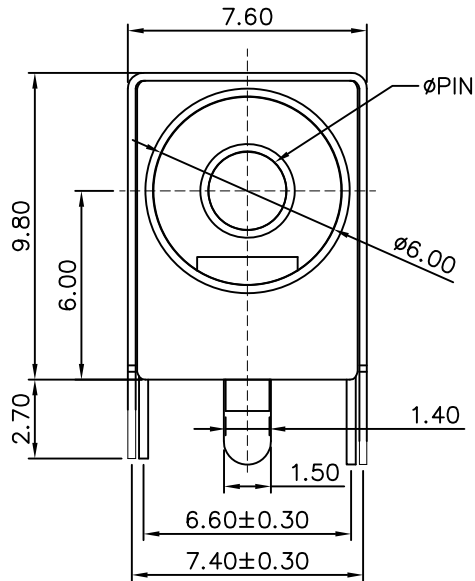
△				
△				
△				
△				
ZONE	REV	DESCRIPTION	DATE	APPD.

DC-038HSE-F-S242

center pin
F = $\phi 2.00$

RD&發行
2023.07.14
達立

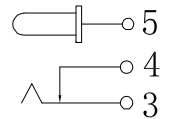
RoHS
Compatible



SPECIFICATIONS :

- Rating : DC 30V, 3A.
- Contact resistance : 50m Ω Max.
- Insulation resistance : 100M Ω Min.
- Withstand voltage : 500V AC.
- Insertion&withdrawal force : 0.3~3.0 Kgf
- Life : 5000 Cycles Min.

Circuit Diagram



6	Cover	Copper alloy	1	Sn Plated
5	Flat	Copper alloy	1	Ag Plated
4	Contact	Copper alloy	1	Ag Plated
3	Contact	Copper alloy	1	Ag Plated
2	Pin	Copper alloy	1	Sn Plated
1	Housing	PA46	1	Black
No.	Part Name	Material	Q'ty	Finishing

達立科技股份有限公司

Dawning Precision Co.,Ltd.

TEL: 886-2-82271388 FAX: 886-2-82272198

DESIGN	Jeff	SCALE		
DRAWING	Jeff	UNIT	mm	
CHECK	Jeff	SIZE	A4: 210*297	
APPROVAL	Baker	VERSION	04	

TOLERANCE UNLESS OTHERWISE STATED(mm)	PART NAME	DC POWER SOCKET
0 ——— ±0.50	PART NO	DC-038HSE-F-S242
0.0 ——— ±0.30	DRAWING NO	
0.00 ——— ±0.20	DATE	2023.07.14
ANGLE ——— ±2°		