

△				
△				
△				
△				
ZONE	REV	DESCRIPTION	DATE	APPD.

Order Information:
PJ-356 ---S057

RoHS
Compatible

Terminal Plated :
Blank : Sn Plated
Ag : Ag Plated
Au : Au Plated

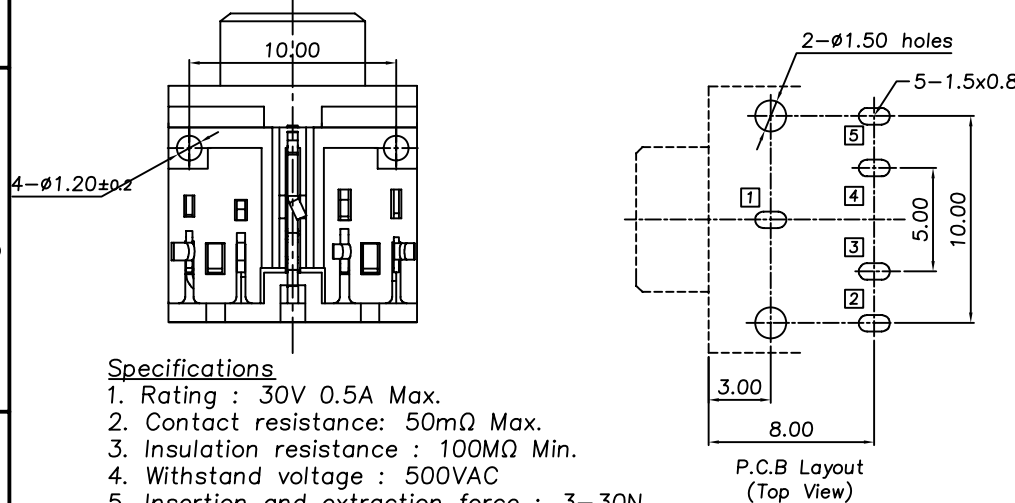
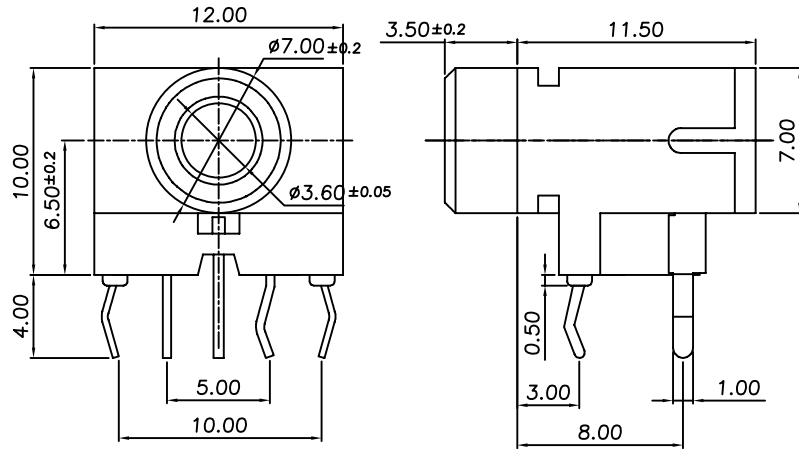
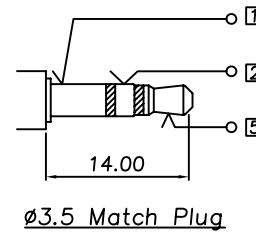
Housing & Cover Color :

No.	Color
Blank	Black
R	Red(0239)
2R	Red(0017)
Y	Yellow(0024)
2Y	Yellow(0028)
OR	Orange(0293)
G	Green(0240)
2G	Green(0455)

No.	Color
3G	Green(0112)
4G	Green(0316)
5G	Green(577C)
BL	Blue(0011)
BL1	Blue(0037)
GA	Gray(0144)
W	White(0100)

Housing : Blank=PBT,66=PA66

Circuit Diagram



Specifications

1. Rating : 30V 0.5A Max.
2. Contact resistance: 50mΩ Max.
3. Insulation resistance : 100MΩ Min.
4. Withstand voltage : 500VAC
5. Insertion and extraction force : 3-30N
6. Life test : 5,000 cycles Min.
7. Operating temperature : -20°C~70°C

Model No.	PJ-3565	PJ-3564A	PJ-3564B
Schematic			
Model No.	PJ-3563	PJ-3563A	PJ-3562
Schematic			

發行
2012.11.21
達立

□ Terminal No.

⑦	Tip Terminal	⑤	Phopshor Bronze t=0.3	1	
⑥	Shunt Terminal	④	Brass t=0.4	1	
⑤	Shunt Terminal	③	Brass t=0.4	1	
④	Ring Spring	②	Phopshor Bronze t=0.25	1	
③	Earth Terminal	①	Phopshor Bronze t=0.5	1	
②	Cover		PBT/PA66	1	
①	Housing		PBT/PA66	1	
No.	Part Name		Material	Q'ty	Finishing

達立科技股份有限公司

Dawning Precision Co.,Ltd.

TEL: 886-2-82271388 FAX: 886-2-82272198

DESIGN	Will	SCALE			TOLERANCE UNLESS OTHERWISE STATED(mm)	PART NAME	PHONE JACK
DRAWING	Will	UNIT	mm		less than 10	PART NO	PJ-356-S057 SERIES
CHECK	Will	SIZE	A4: 210*297		10~30	DRAWING NO	
APPROVAL	Eric	VERSION	01		30~100	DATE	2012/11/21
					ANGIE		

					±0.3		
					±0.4		
					±0.5		
					±2°		
