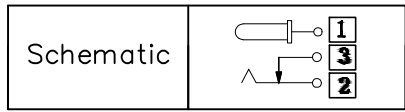


△				
△				
△				
△				
ZONE	REV	DESCRIPTION	DATE	APPD.

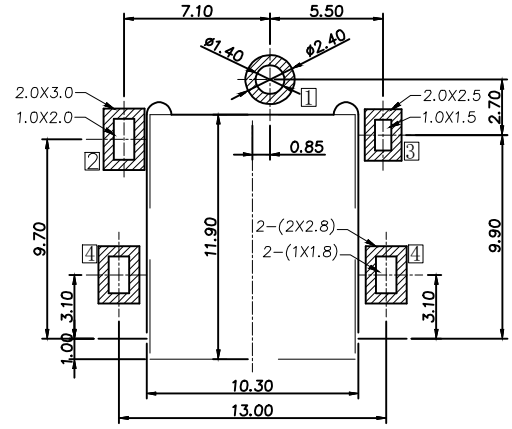
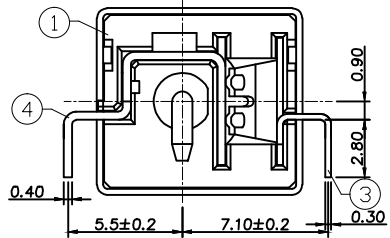
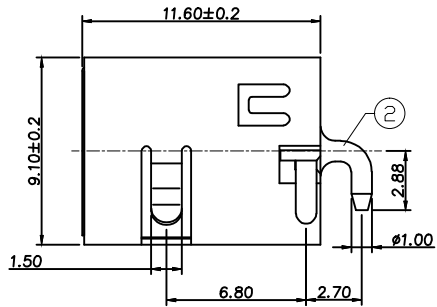
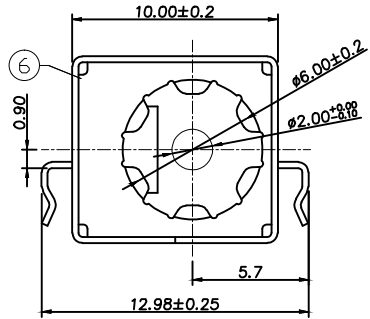
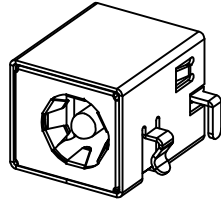
Order Information:
DC-084DHS-F-S243

Center Pin:
F=φ2.00

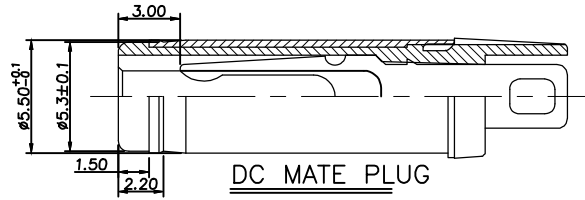
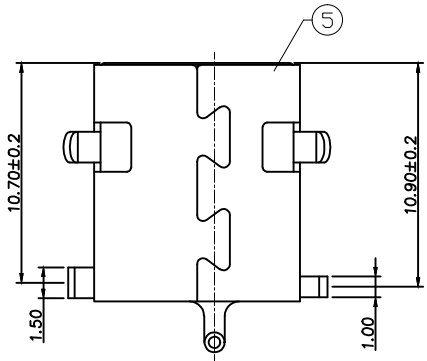


R&D發行
2023.11.08
達立

RoHS
Compatible



RECOMMENDED PCB LAYOUT
TOLERANCE: ±0.05mm(TOP VIEW)



Specification

1. Rating : DC 24V, 6A.
2. Contact resistance : 50mΩ;
3. Insulation resistance : ≥100MΩ
4. Withstand voltage : 500VAC.
5. Insertion and extraction force : 3N~30N.
6. life test : 5,000 cycles.

6	Grounding	Stainless Steel	1	——
5	Shell [4]	Iron	1	Ni Plated
4	Terminal [3]	Brass	1	Ag Plated
3	Terminal [2]	Phosphor Bronzes	1	Ag Plated
2	Pin [1]	Zince Alloy	1	Ni Plated
1	Housing	PA9T	1	Black
No.	Part Name	Material	Q"ty	Remarks

達立科技股份有限公司
Dawning Precision Co.,Ltd.
TEL: 886-2-82271388 FAX: 886-2-82272198

DESIGN	Charles	SCALE	
DRAWING	Charles	UNIT	mm
CHECK	Charles	SIZE	A4: 210*297
APPROVAL	Baker	VERSION	01

TOLERANCE UNLESS OTHERWISE STATED(mm)	PART NAME	DC POWER SOCKET
0 ——— ±0.50	PART NO	DC-084DHS-F-S243
0.0 ——— ±0.35	DRAWING NO	
0.00 ——— ±0.25	DATE	2023/11/08
ANGLE ——— ±2°		

www.dawning2.com.tw