

△				
△	B	ECN171004	2017.10.20	HONDA
△	A	ECN170602	2017.06.03	HONDA
△	XA	Initial Release	2017.05.10	HONDA
ZONE	REV	DESCRIPTION	DATE	APPD.

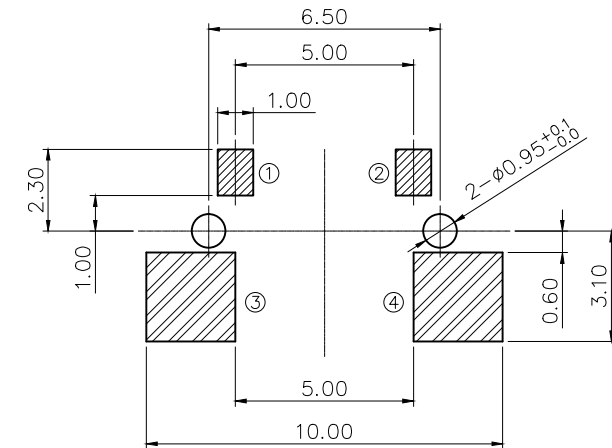
RoHS
Compatible

ORDER INFORMATION

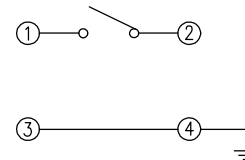
TSS33Ux-EG-180K

- Knob color : black
- Force : 180 gf.
- Knob length : 3.2 mm

P.C.B MOUNTING
PATTERN DIMENSION

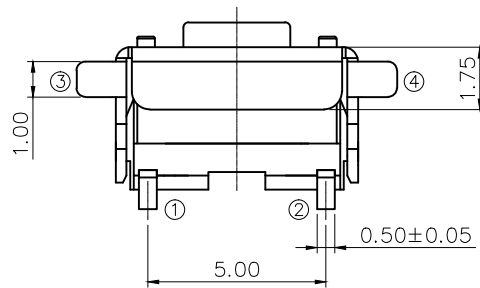
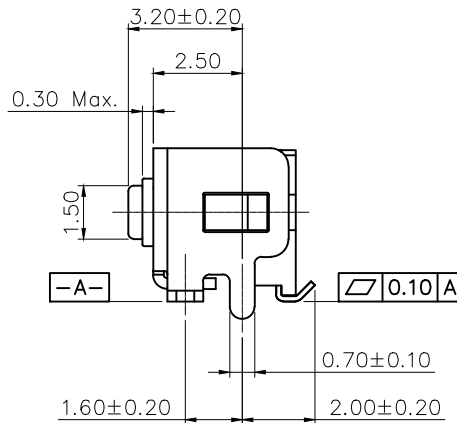
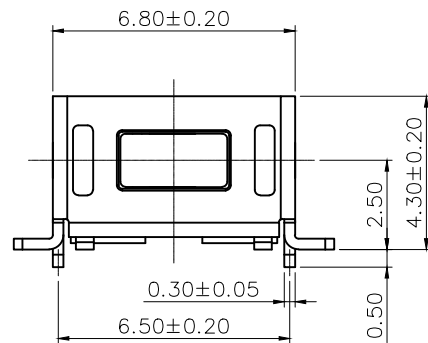
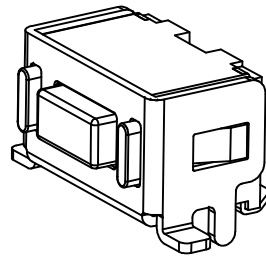
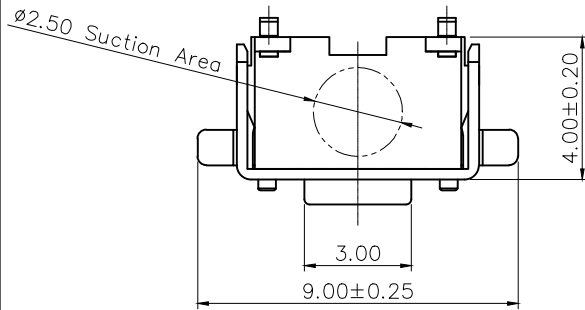


CIRCUIT DIAGRAM



SPECIFICATION

- Rating:DC 12V 50mA
- Contact resistance : 100 mΩ Max.
- Insulation resistance : 100 MΩ Min.
- Travel : 0.15±0.1mm.
- Operating Force : 180±50g.
- Operating Life : 100,000 Cycles



6	TAPE	1	POLYIMIDE	YELLOW
5	CONTACT PLATE	1	STAINLESS STEEL	Ag PLATED
4	TERMINAL	2	COPPER ALLOY	Ag PLATED
3	CASE	1	LCP	BLACK
2	KNOB	1	LCP	BLACK
1	SHELL	1	CARBON STEEL	MATTE TIN PLATED
NO	PART NAME	Q'TY	MATERIAL	FINISHING

達立科技股份有限公司
Dawning Precision Co., Ltd.
TEL: 886-2-82271388 FAX: 886-2-82272198

DESIGN	HONDA	SCALE	
DRAWING	HONDA	UNIT	mm
CHECK	HONDA	SIZE	A4: 297*210
APPROVAL	HONDA	VERSION	B

TOLERANCE UNLESS OTHERWISE STATED(mm)	
0	±0.30
0.0	±0.20
0.00	±0.15
ANGLE	±2'

PART NAME	TACT SWITCH
PART NO	TSS33U-EG-180K
DRAWING NO	C-TSS33U-102
DATE	2017.05.10