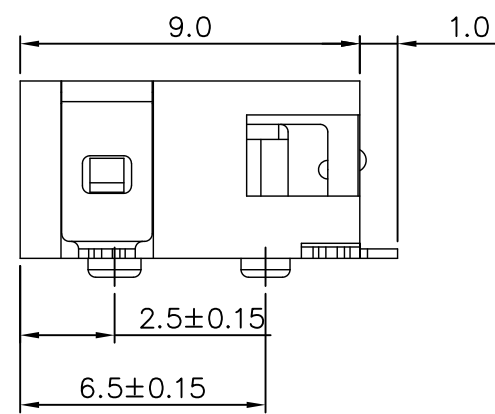
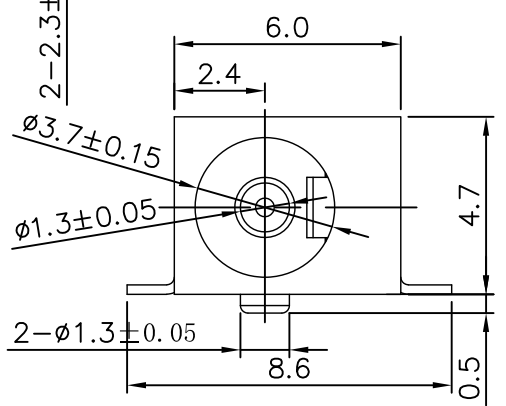
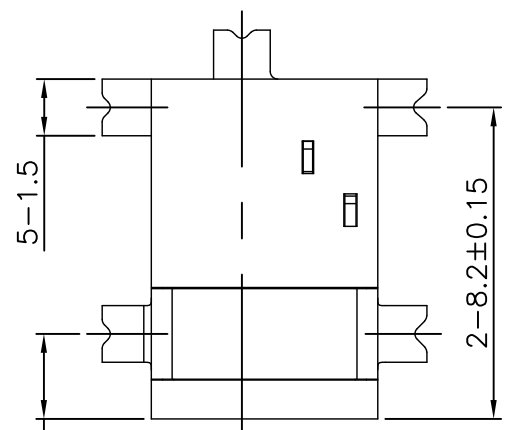
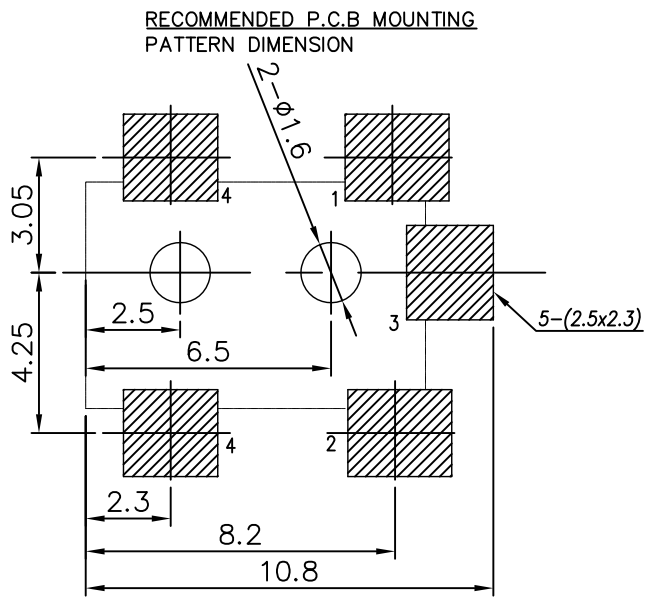
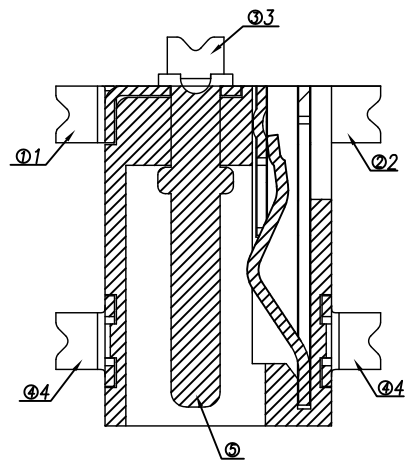
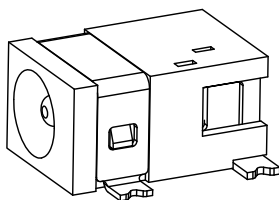


△				
△				
△				
△				
ZONE	REV	DESCRIPTION	DATE	APPD.

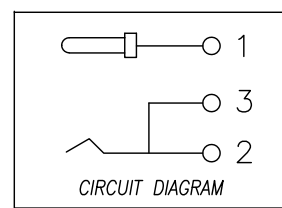
RoHS
Compatible

R&D發行
2022.08.11
達立



SPECIFICATIONS :

1. Rating : DC 16V, 3.5A.
2. Contact resistance : 50mΩ Max.
3. Insulation resistance : 100MΩ Min.
4. Withstand voltage : 500V AC.
5. Insertion force : 3.0 Kgf Max.
6. Withdrawal force : 0.30 Kgf Min.
7. Life : 5000 Cycles Min.



6	Housing	PA10T	1	UL94V-0 / Black
5	Center pin	H65	1	—
4	Terminal	Brass	④	Ag Plated
3	Terminal	Brass	③	Ag Plated
2	Terminal	Copper alloy	②	Ag Plated
1	Terminal	Brass	①	Ag Plated
No.	Part Name	Material	Q'ty	Finishing

達立科技股份有限公司
Dawning Precision Co., Ltd.
TEL: 886-2-82271388 FAX: 886-2-82272198

DESIGN	Horace	SCALE			PART NAME	DC POWER SOCKET
DRAWING	Horace	UNIT	mm		PART NO	DC-073DHS-C-S135
CHECK	Horace	SIZE	A4: 210*297		DRAWING NO	
APPROVAL	Baker	VERSION	01		DATE	2022.08.11
					TOLERANCE UNLESS OTHERWISE STATED(mm)	
				0	±0.50	
				0.0	±0.30	
				0.00	±0.20	
				ANGLE	±2°	