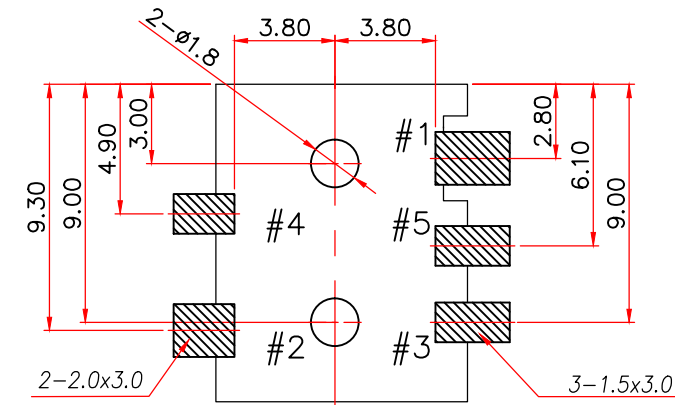
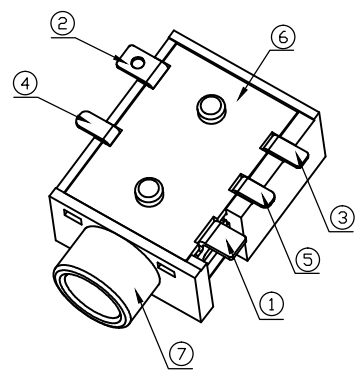
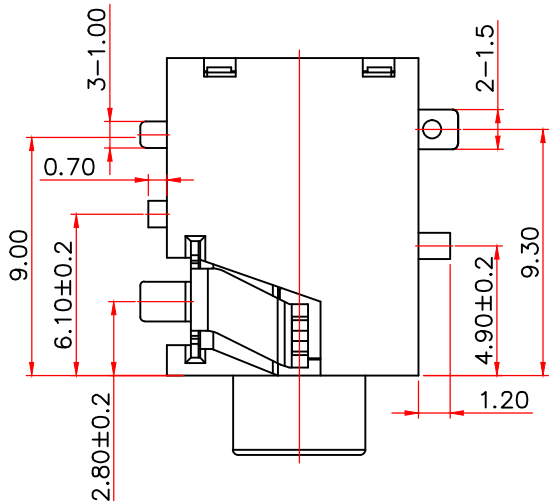


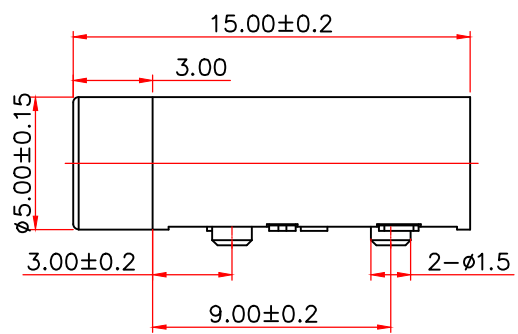
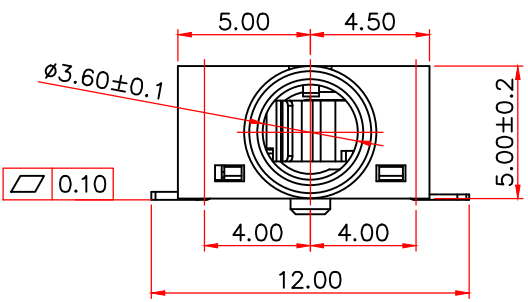
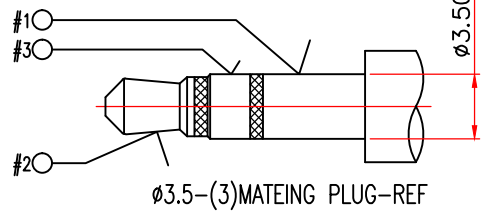
△				
△				
△				
△				
ZONE	REV	DESCRIPTION	DATE	APPD.

R&D發行  
2023.04.13  
達立

**RoHS**  
**Compatible**

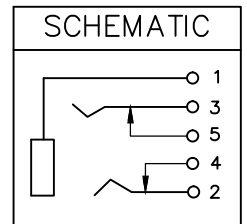


RECOMMENDED P.C.B MOUNTING PATTERN DIMENSION



**SPECIFICATIONS**

1. Rating : DC30V 0.5A.
2. Contact Resistance: 30mΩ Max.
3. Insulation Resistance: 100MΩ Min.
4. Withstanding Voltage: 500V AC.
5. Operating Life: 5,000 Cycles Min.
6. Mating&Unmating force: 3~30N.



7	Housing	PA9T	1	Black
6	Cover	PA9T	1	Black
5	Terminal 5	Brass t0.20	1	Au Plated
4	Terminal 4	Brass t0.20	1	Au Plated
3	Terminal 3	Phosphor Bronze t0.20	1	Au Plated
2	Terminal 2	Phosphor Bronze t0.20	1	Au Plated
1	Terminal 1	Phosphor Bronze t0.30	1	Au Plated
NO	Part Name	Material	Q"ty	Finishing

**達立科技股份有限公司**  
**Dawning Precision Co.,Ltd.**  
TEL: 886-2-82271388 FAX: 886-2-82272198

DESIGN	Charles	SCALE		
DRAWING	Charles	UNIT	mm	
CHECK	Charles	SIZE	A4: 210*297	
APPROVAL	Baker	VERSION	01	

TOLERANCE UNLESS OTHERWISE STATED(mm)	PART NAME	PHONE JACK
0 _____ ±0.50	PART NO	PJ-3675D-AU-S135
0.0 _____ ±0.40	DRAWING NO	
0.00 _____ ±0.30	DATE	2023/04/13
ANGLE _____ ±2°		

www.dawning2.com.tw