

△				
△				
△				
△	A	Initial Release	2018.12.25	Eason
ZONE	REV	DESCRIPTION	DATE	APPD.

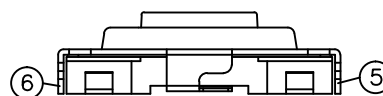
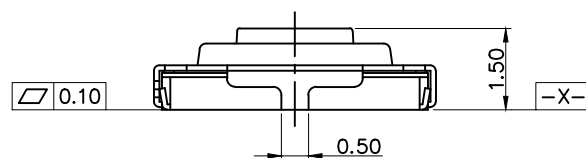
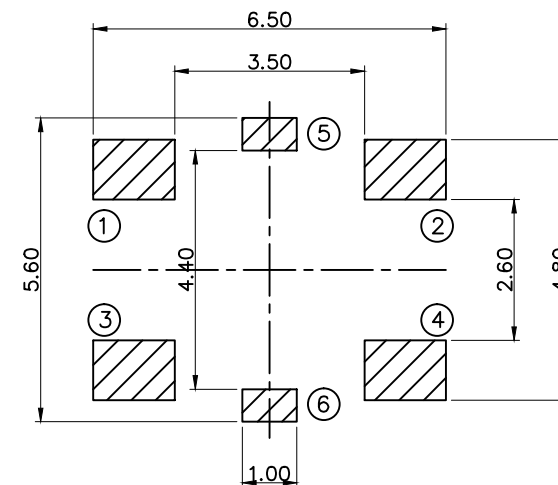
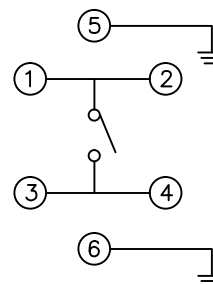
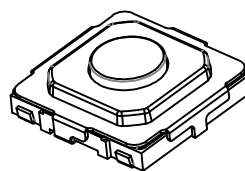
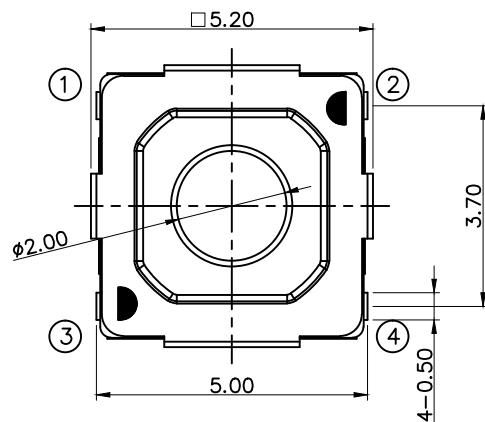
R&D
2018.12.25
達立

HF
Halogen Free

RoHS
Compatible

RECOMMENED P.C.B MOUNTING
PATTERN DIMENSION

CIRCUIT DIAGRAM



Specifications

- Rating : DC 12V, 50mA.
- Travel : 0.25 +0.10/-0.20mm
- Contact resistance : 100mΩ Max.
- Insulation resistance : 100MΩ Min.
- Operating force : 160±50gf
- Operating life : 1,000,000 cycles Min.

6	Dust cover	Polyimide	1	—
5	Case	LCP UL94 V-0	1	Black
4	Cover	Stainless steel	1	Ag Plated
3	Contact	Stainless steel	1	Ag Clad
2	Terminal	Phosphor Bronze	1	Ag Plated
1	Stem	LCP UL94 V-0	1	Black
No.	Part Name	Material	Q'ty	Finishing

達立科技股份有限公司

Dawning Precision Co., Ltd.

TEL: 886-2-82271388 FAX: 886-2-82272198

DESIGN	Eason	SCALE		
DRAWING	Eason	UNIT	mm	
CHECK	Eason	SIZE	A4: 210*297	
APPROVAL	Honda	VERSION	A	

TOLERANCE UNLESS OTHERWISE STATED(mm)	PART NAME	TACT SWITCH
0 — ±0.35	PART NO	TS-A87PU-160BK-D
0.0 — ±0.30	DRAWING NO	C-TS-A87PU-101
0.00 — ±0.20	DATE	2018/12/25
ANGLE — ±3°		