

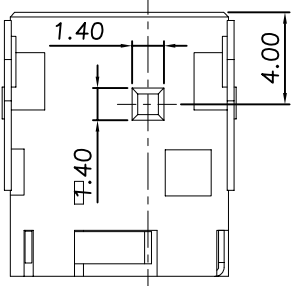
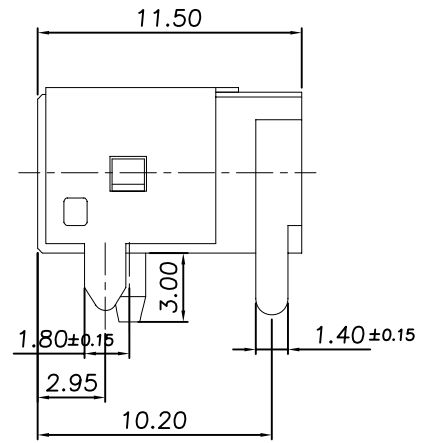
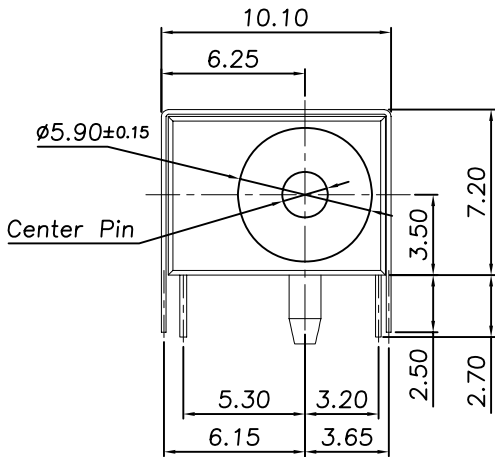
RoHS
Compatible

發行
2013.02.27
達立

△				
△				
△				
△				
ZONE	REV	DESCRIPTION	DATE	APPD.

Model No.	DC-048-A-S057	DC-048-B-S057
Schematic		
Center Pin	ø1.65mm	
	ø2.0mm	
	ø2.35mm	
	ø2.5mm	

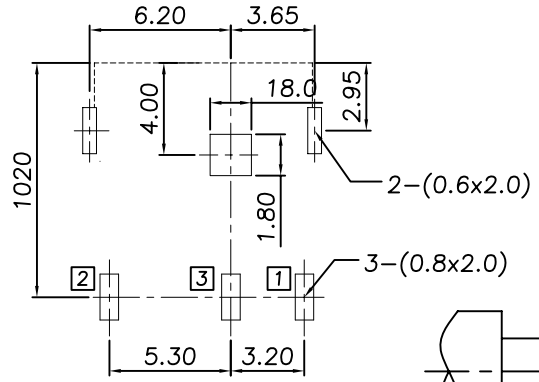
□ Terminal No.



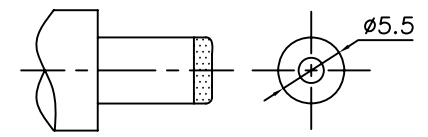
*Order Information:
DC-048S- -S057

Schematic No. ——— Terminal plating :
Center Pin ——— S : Ag Plated(Standard)
T : Sn Plated
G : Au Plated

Material of housing :
Blank : PBT
9T : PA9T



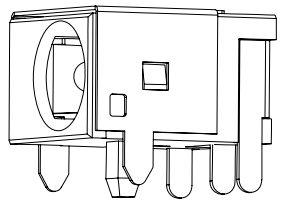
P.C.B Layout
(Bottom View)



DC Mate Plug

- Specifications**
1. Rating : 30V 0.5A Max.
 2. Contact resistance: 30mΩ Max.
 3. Insulation resistance : 100MΩ Min.
 4. Withstand voltage : 500VAC
 5. Insertion and extraction force : 3-30N
 6. Life test : 5,000 cycles Min.
 7. Operating temperature : -20°C~70°C

⑥	Earth Terminal	Phosphor Bronze	1	CuNi Plated
⑤	Shunt Terminal ③	Brass	1	See Order Information
④	Tip Spring ②	Phosphor Bronze	1	See Order Information
③	Center Pin Terminal ①	Brass	1	See Order Information
②	Center Pin	Brass	1	CuSn/Ni Plated
①	Housing	PBT /PA9T	1	Black
No.	Part Name	Material	Q'ty	Finishing



達立科技股份有限公司
Dawning Precision Co., Ltd.
TEL: 886-2-82271388 FAX: 886-2-82272198

DESIGN	Will	SCALE		
DRAWING	Will	UNIT	mm	
CHECK	Will	SIZE	A4: 210*297	
APPROVAL	Eric	VERSION	01	

TOLERANCE UNLESS OTHERWISE STATED(mm)	PART NAME	DC POWER SOCKET
less than 10 — ±0.3	PART NO	DC-048S-S057 SERIES
10~30 — ±0.4	DRAWING NO	
30~100 — ±0.5	DATE	2013/02/27
ANGIE — ±2°		