

△				
△				
△	B	ECN200401	2020.04.23	Jeff
△	A	Initial Release	2019.08.26	Jeff
ZONE	REV	DESCRIPTION	DATE	APPD.

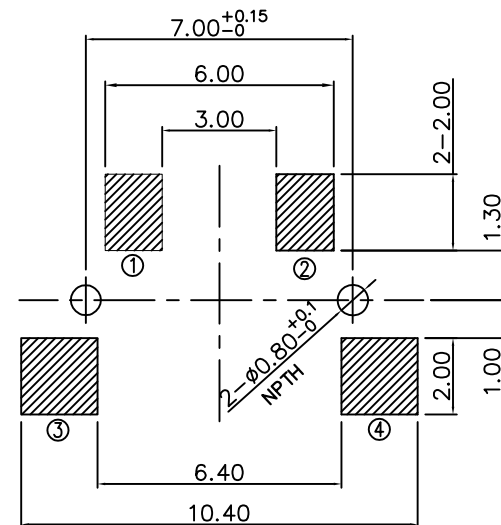
ORDER INFORMATION

TS-AN06S -160BK

- Knob Color :Black
- Force :160 gf.
- Knob Length :3.6 mm.

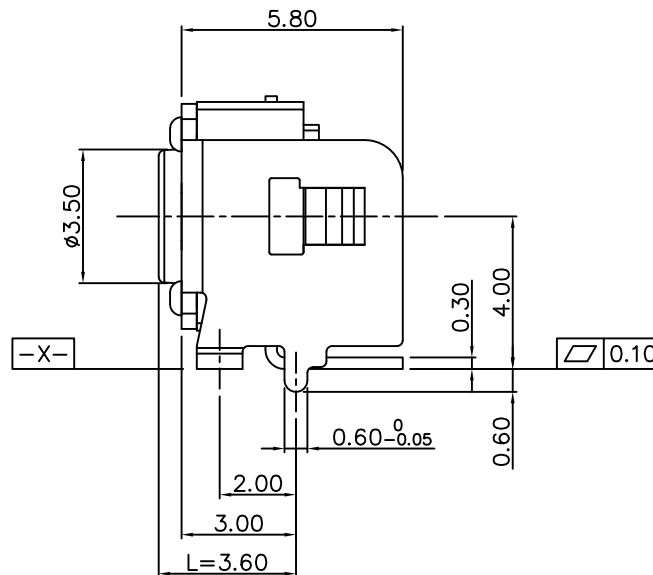
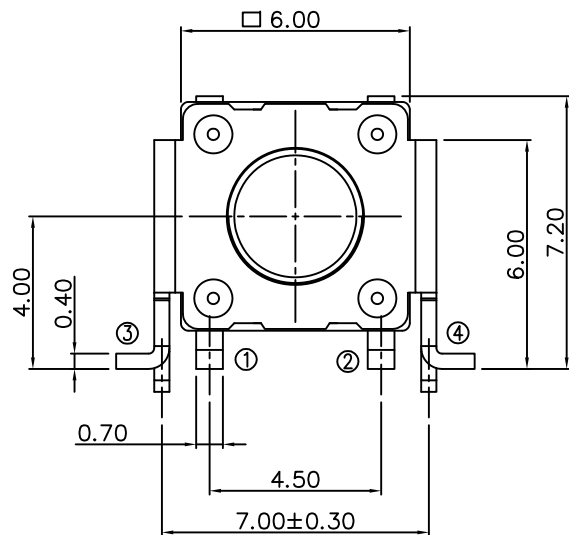
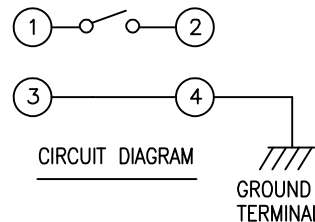
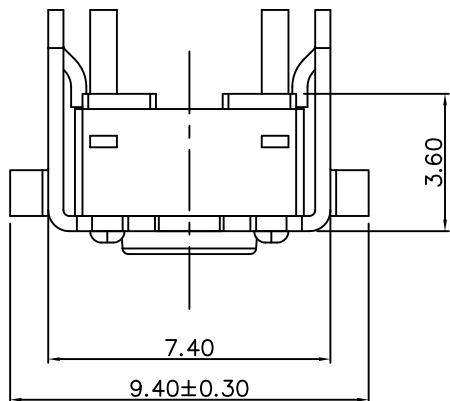


RECOMMENED P.C.B LAYOUT



Specification

- Rating : DC 12V, 50mA.
- Travel : 0.25±0.1 mm
- Contact resistance : 100mΩ Max.
- Insulation resistance : 100MΩ Min.
- Operating force : 160±50gf
- Operating life : 1,000,000 cycles.



5	Cover	Brass	1	Ni Plated 40 u" Min. Ag Plated 8 u" Min.
4	Contact	Stainless Steel	1	Ag Plated 0.25 um Min.
3	Terminal	Brass	1	Ag Plated 0.20 um Min.
2	Stem	PPA	1	Black
1	Case	PPA	1	Black
No.	Part Name	Material	Q"ty	Finish

達立科技股份有限公司
Dawning Precision Co., Ltd.
TEL: 886-2-82271388 FAX: 886-2-82272198

DESIGN	Honda	SCALE	
DRAWING	Honda	UNIT	mm
CHECK	Honda	SIZE	A4: 210*297
APPROVAL	Honda	VERSION	B

TOLERANCE UNLESS OTHERWISE STATED(mm)	
0	±0.40
0.0	±0.30
0.00	±0.20
ANGLE	±2°

PART NAME	TACT SWITCH
PART NO	TS-AN06S-160BK
DRAWING NO	C-TS-AN06S-101
DATE	2019.08.26