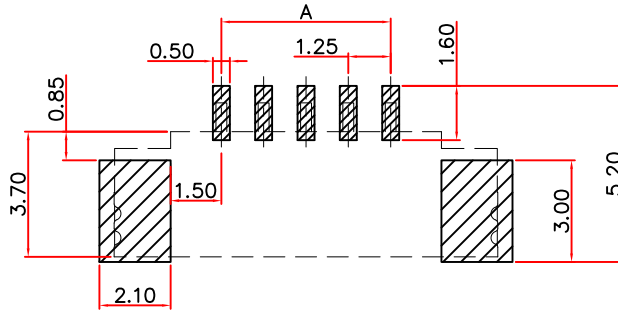
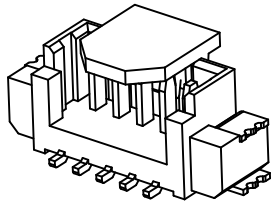


△				
△				
△				
△				
ZONE	REV	DESCRIPTION	DATE	APPD.

RECOMMENED P.C.B MOUNTING
(PCB TOLERANCE ±0.05)

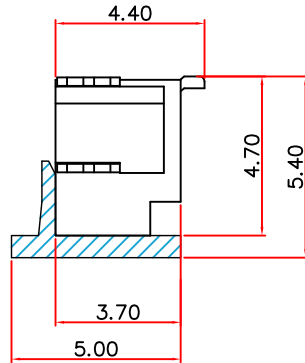
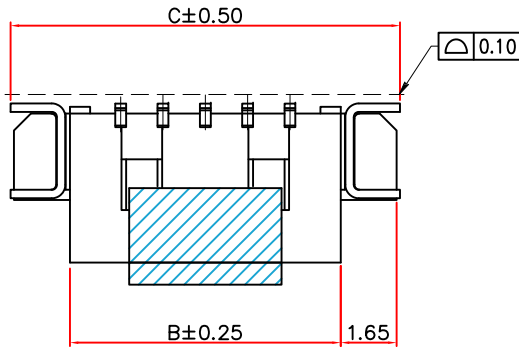
RD&發行
2024.05.27
達立

RoHS
Compatible

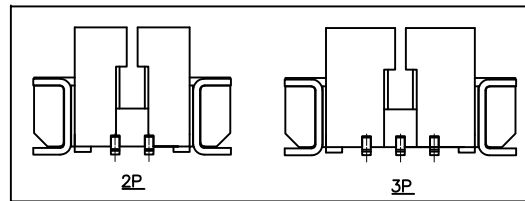
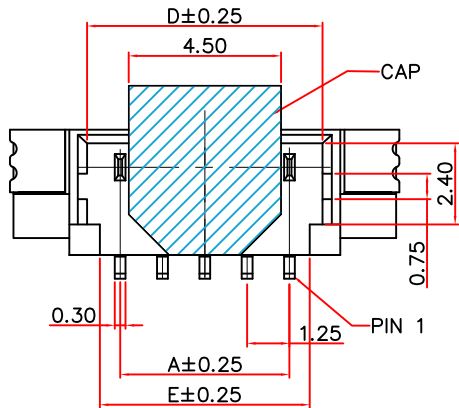


ORDER INFORMATION :
WB1257H-XX X X X
1 2 3 4 5

1. HALOGEN FREE
2. PIN NO.: 02~16
3. PACKING:
0 : TAPE & REEL
1 : TUBE
4. PLATING
S : Bright Sn 50u" Min.
G : GOLD FLASH
T : GOLD 3u" ON CONTACT AREA
5. COLOR
N : NATURAL
B : BLACK



PIN NO.	Dimensions				
	A	B	C	D	E
2	1.25	4.25	7.75	3.20	2.35
3	2.50	5.50	9.00	4.45	3.60
4	3.75	6.75	10.25	5.70	4.85
5	5.00	8.00	11.50	6.95	6.10
6	6.25	9.25	12.75	8.20	7.35
7	7.50	10.50	14.00	9.45	8.60
8	8.75	11.75	15.25	10.70	9.85
9	10.00	13.00	16.50	11.95	11.10
10	11.25	14.25	17.75	13.20	12.35
11	12.50	15.50	19.00	14.45	13.60
12	13.75	16.75	20.25	15.70	14.85
13	15.00	18.00	21.50	16.95	16.10
14	16.25	19.25	22.75	18.20	17.35
15	17.50	20.50	24.00	19.45	18.60
16	18.75	21.75	25.25	20.70	19.85



Specifications

1. Current Rating : 1A (AWG#28) / 1A (AWG#30)
0.8A (AWG#32)
2. Voltage Rating : 125V AC,DC
3. Contact resistance : 20mΩ Max.
4. Insulation resistance : 100MΩ Min.
5. Withstanding Voltage : 500V AC for one minute
6. Temperature Range : -40°C ~ +85°C

3	Fitting nail	Copper Alloy	1	—
2	Terminal	Copper Alloy	1	—
1	Insulator	High-Temp Thermoplastic	1	—
No.	Part Name	Material	Qty	Finishing

達立科技股份有限公司
Dawning Precision Co., Ltd.
TEL: 886-2-82271388 FAX: 886-2-82272198

DESIGN	Jeff	SCALE		
DRAWING	Jeff	UNIT	mm	
CHECK	Jeff	SIZE	A4: 210*297	
APPROVAL	Baker	VERSION	04	

TOLERANCE UNLESS OTHERWISE STATED(mm)	PART NAME	WTB WAFER 1.25mm PITCH
0 — ±0.50	PART NO	WB1257H-XXXXX
0.0 — ±0.25	DRAWING NO	
0.00 — ±0.20	DATE	2024.05.27
ANGLE — ±2'		