

4				
3	C	ECN190402	2019.04.29	Jeff
2	B	ECN180903	2018.09.27	Jeff
1	A	Intial Release	2018.03.21	Jeff
ZONE	REV	DESCRIPTION	DATE	APPD.

Order information:
TS-AN02S-160BK

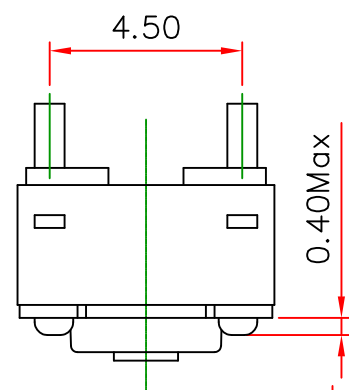
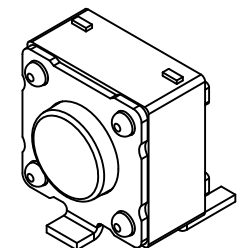
Stem color
BK: Black

Force
160:160gf

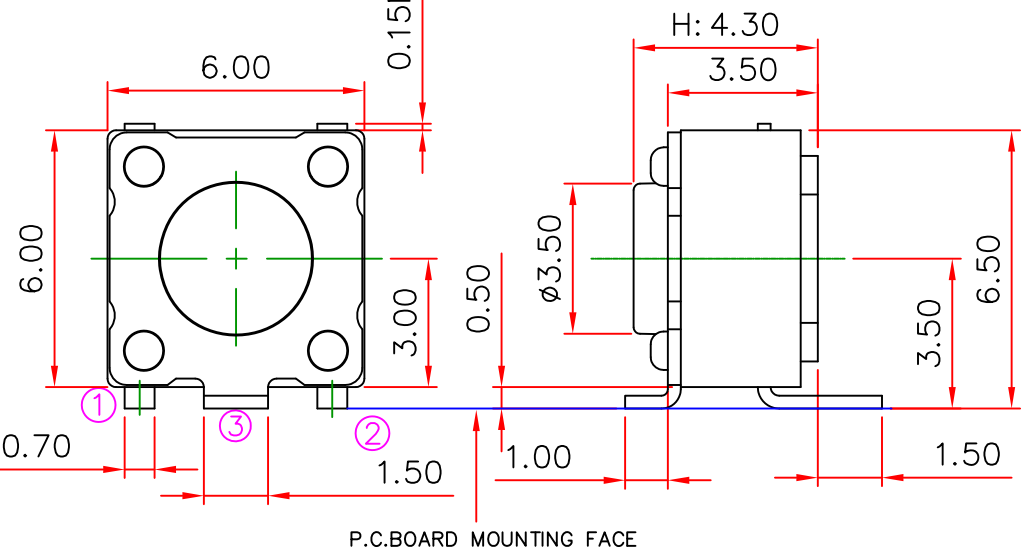
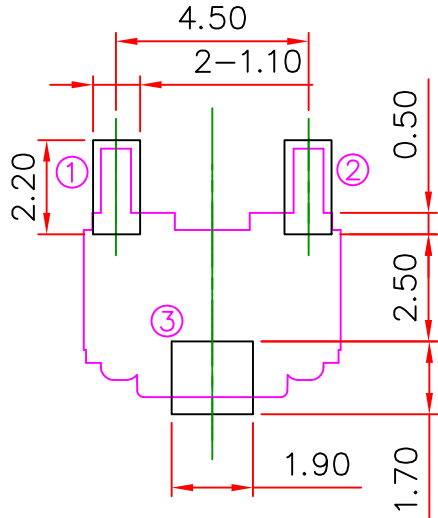
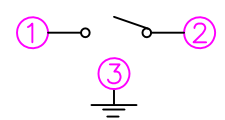
RECOMMENED P.C.B MOUNTING
PATTERN DIMENSION



R&D發行
2019.04.30
達立



CIRCUIT DIAGRAM



Specifications

1. Rating : DC 12V, 50mA.
2. Travel : 0.25±0.10mm
3. Contact resistance : 100mΩ Max.
4. Insulation resistance : 100MΩ Min.
5. Operating force : 160±50gf
6. Operating life : 100,000 cycles.

5	Stem	PPA	1	Black
4	Cover	Brass C2680	1	Ni Plated 20 u" Min., Matte Sn Plated 100 u" Min.
3	Contact	SUS	1	Ag Plated 0.25 um Min.
2	Terminal	Brass C2680	1	Ag Plated 0.20 um Min.
1	Case	PPA	1	Black
No.	Part Name	Material	Q"ty	Finishing

達立科技股份有限公司
Dawning Precision Co., Ltd.
TEL: 886-2-82271388 FAX: 886-2-82272198

DESIGN	Jeff	SCALE	
DRAWING	Jeff	UNIT	mm
CHECK	Jeff	SIZE	A4: 210*297
APPROVAL	Honda	VERSION	C

TOLERANCE UNLESS OTHERWISE STATED(mm)	PART NAME	TACT SWITCH
0 _____ ±0.50	PART NO	TS-AN02S-160BK
0.0 _____ ±0.30	DRAWING NO	C-TS-AN02S-102
0.00 _____ ±0.20	DATE	2018/03/21
ANGLE _____ ±2°		