

Order information:  
DP-B001S-XXL-PI-X-S017

Package:  
T: Tube  
R: TAPE REEL

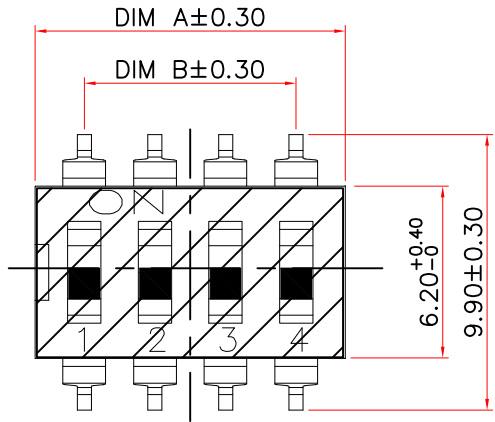
01~12 POLE

RECOMMENED P.C.B MOUNTING  
PATTERN DIMENSION

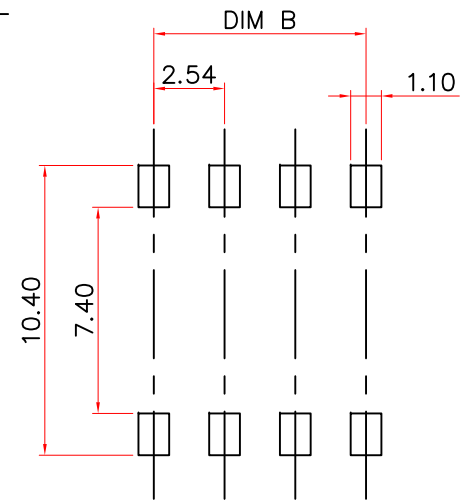
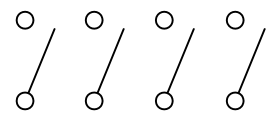
RD&發行  
2023.11.24  
達立

**RoHS**  
**Compatible**

△				
△				
△				
△				
ZONE	REV	DESCRIPTION	DATE	APPD.



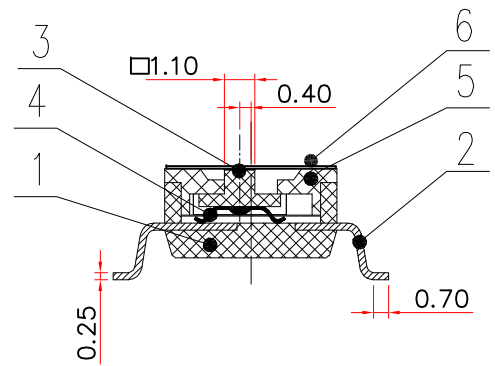
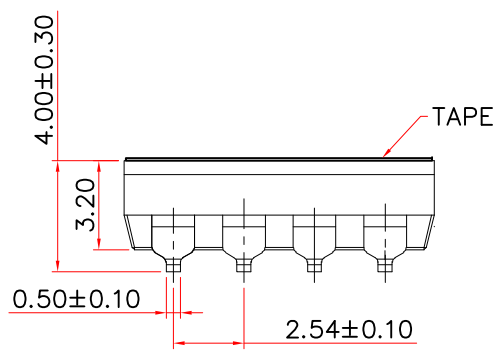
CIRCUIT DIAGRAM



POLE	Dimensions	
	A	B
1	3.54	—
2	6.08	2.54
3	8.62	5.08
4	11.16	7.62
5	13.70	10.16
6	16.24	12.70
7	18.78	15.24
8	21.32	17.78
9	23.86	20.32
10	26.40	22.86
11	28.94	25.40
12	31.48	27.94

Specification

- Rating :
  - Non-Switching : 100mA, 50V DC
  - Switching : 25mA , 24V DC
- Contact resistance : 50mΩ Max(Initial).
- Insulation resistance : 100MΩ Min
- Operating force : 1Kgf Max.
- Operating life : 1,000 cycles Min.



6	Tape	Polyamide Resin	1	Yellow
5	Cover	PA9T/UL94 V-0	1	Black
4	Contact	Berylliu Copper	1	Au Plated
3	Actuator	PA46/UL94 V-0	1	White
2	Terminal	PBS	1	Au Plated
1	Case	PA9T/UL94 V-0	1	Black
No.	Part Name	Material	Q'ty	Finishing

**達立科技股份有限公司**  
**Dawning Precision Co., Ltd.**  
TEL: 886-2-82271388 FAX: 886-2-82272198

DESIGN	Jeff	SCALE	
DRAWING	Jeff	UNIT	mm
CHECK	Jeff	SIZE	A4: 210*297
APPROVAL	Baker	VERSION	01

TOLERANCE UNLESS OTHERWISE STATED(mm)	PART NAME	S.M.T. Type DIP SWITCH
0 ——— ±0.50	PART NO	DP-B001S-XXL-PI-X-S017
0.0 ——— ±0.30	DRAWING NO	
0.00 ——— ±0.20	DATE	2023/11/24
ANGLE ——— ±2°		