

△				
△				
△	A	Initial Release	2017.07.04	Eason
ZONE	REV	DESCRIPTION	DATE	APPD.

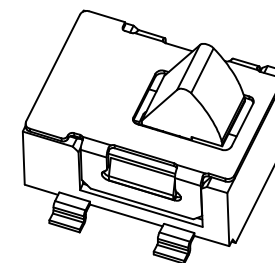
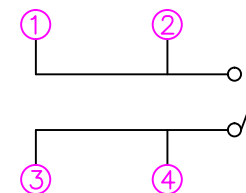
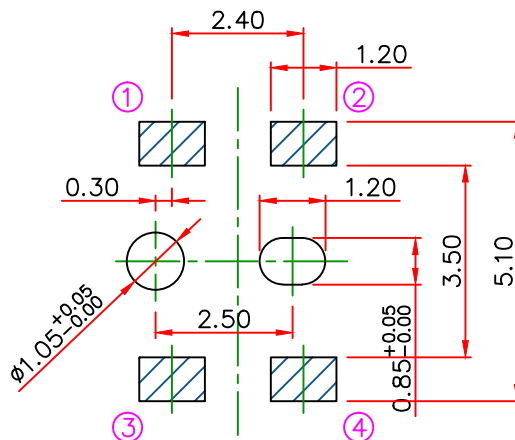
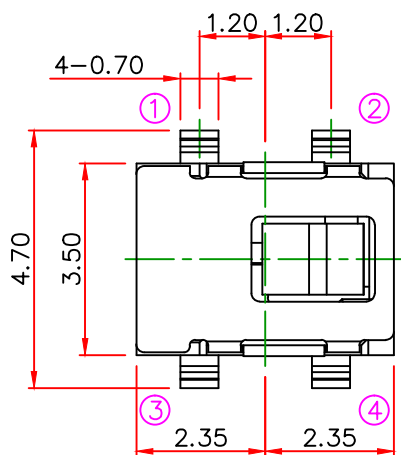
HF
Halogen Free

RoHS
Compatible

RECOMMENED P.C.B MOUNTING
PATTERN DIMENSION

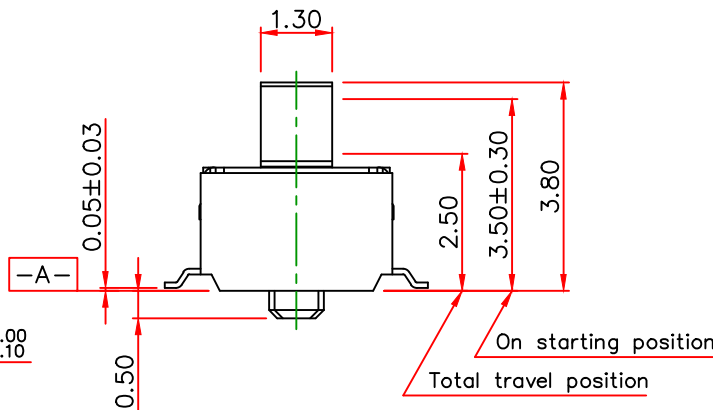
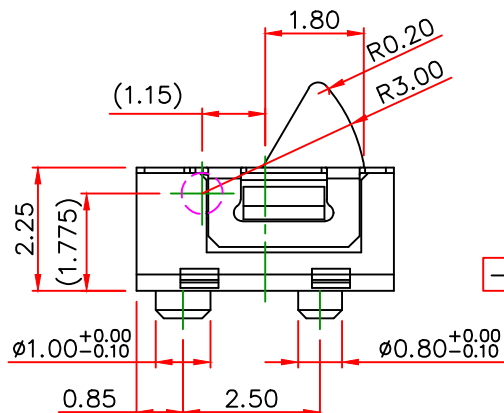
CIRCUIT DIAGRAM

R&D發行
2017.07.04
達立



SPECIFICATION

1. Rating : DC 5V, 1mA
2. Contact resistance : 1Ω Max.
3. Insulation resistance : DC 100V-100MΩ Min.
4. Withstanding voltage : AC 100V-1 minute
5. Operating force : 36gf Max.
6. Operating life : 100,000 cycles



5	Knob	PA10T	1	Black
4	Cover	SUS	1	—
3	Spring	Phosphor Bronze	1	Ag Plated
2	Terminal	Phosphor Bronze	1	Ag Plated
1	Frame	PA10T	1	Black
No.	Part Name	Material	Q'ty	Finishing

達立科技股份有限公司

Dawning Precision Co., Ltd.

TEL: 886-2-82271388 FAX: 886-2-82272198

DESIGN	Eason	SCALE	
DRAWING	Eason	UNIT	mm
CHECK	Eason	SIZE	A4: 210*297
APPROVAL	Honda	VERSION	A

TOLERANCE UNLESS OTHERWISE STATED(mm)	
0	±0.30
0.0	±0.25
0.00	±0.20
ANGLE	±1°

PART NAME	DETECTOR SWITCH
PART NO	DS-A40E-HF
DRAWING NO	C-DS-A40E-103
DATE	2017/07/04