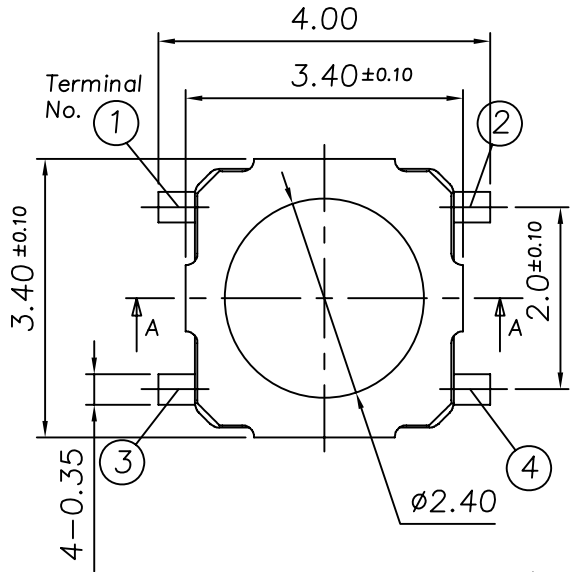
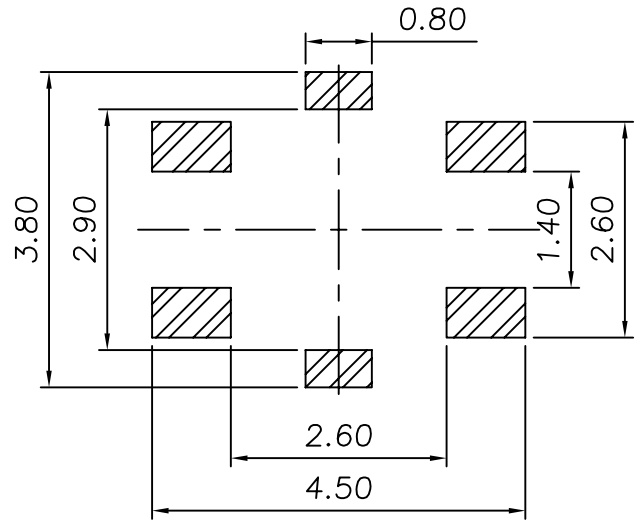


RoHS
Compatible

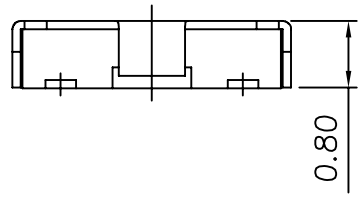
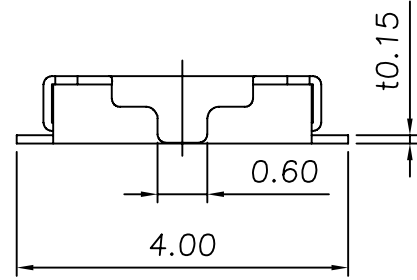
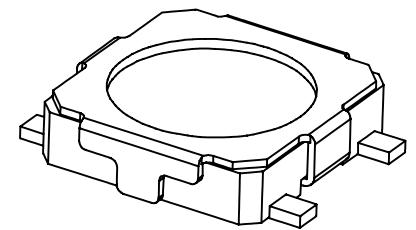
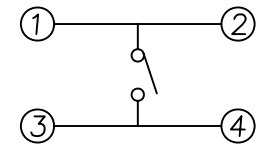
△				
△				
△				
△				
ZONE	REV	DESCRIPTION	DATE	APPD.



P.C.B Mounting pattern Dimension



Circuit diagram



Specification

1. Rating : DC12V 50mA Max.
2. Circuit : 1C-1P
3. Contact resistance : 100mΩ Max.
4. Travel : 0.2±0.1mm
5. Operating force : 250±50gf
6. Operating life : 100,000 cycles Min.

5	Dust Cover	PI Film	1	Yellow
4	Terminal	Phosphor Bronze	4	Ag Plated
3	Cover	SUS	1	Ag Plated
2	Contact	SUS	2	Ag Clad
1	Case	Liquid crystal polymer	1	White
NO	Part Name	Material	Q'ty	Finishing

達立科技股份有限公司
Dawning Precision Co., Ltd.
TEL: 886-2-82271388 FAX: 886-2-82272198

DESIGN	Will	SCALE			TOLERANCE UNLESS OTHERWISE STATED(mm)	PART NAME	TACT SWITCH	
DRAWING	Will	UNIT	mm		less than 10	±0.15	PART NO	TS-307PF-3-S085
CHECK	Will	SIZE	A4: 210*297		10~30	±0.2	DRAWING NO	
APPROVAL	Eric	VERSION	01		30~100	±0.3	DATE	2012/11/16
					ANGIE	±2'		