

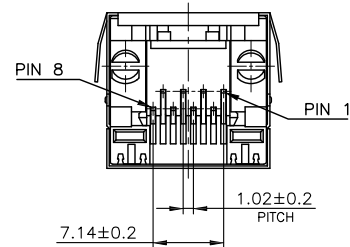
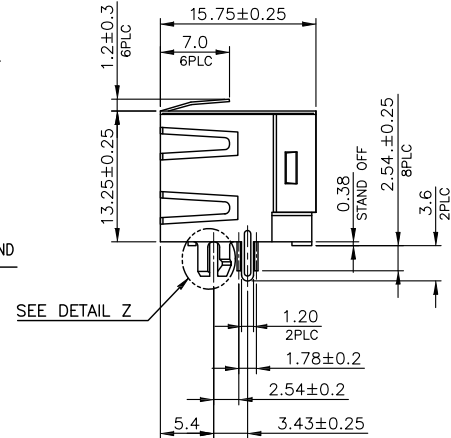
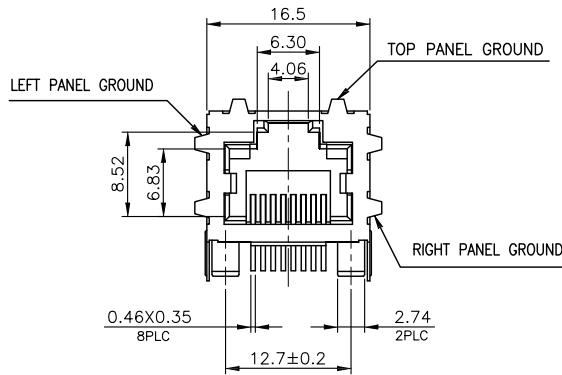
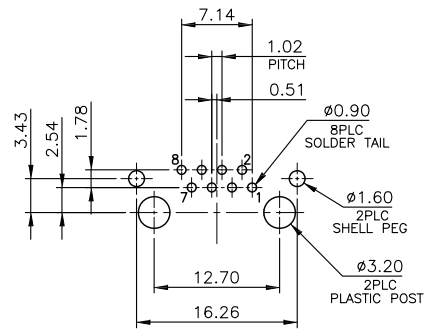
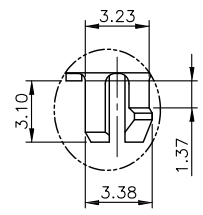
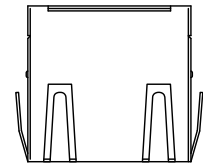
△				
△				
△				
△				
ZONE	REV	DESCRIPTION	DATE	APPD.

RD&發行
2024.09.13
達立

RoHS
Compatible

45040-8P8C-6K4C2-S187
1 2 3 4 5

1. Housing material
6 = PBT
2. Housing color
K = Black
3. Shell material / plating
4 = Copper alloy / Ni Plated
4. Contact plating
C = Gold plating 6 u"
5. Packing
2 = Tray
6. LED Color
LEFT LED G=Green
RIGHT LED Y=Yellow
7. Shield Panel Option
N = No Panel



3	Shield	Copper Alloy	1	Ni Plated
2	Contact	Phosphor Bronzes	1	Au Plated on contact area.
1	Housing	PBT	1	Black
No.	Part Name	Material	Q"ty	Finishing

達立科技股份有限公司
Dawning Precision Co., Ltd.
TEL: 886-2-82271388 FAX: 886-2-82272198

DESIGN	Jeff	SCALE	
DRAWING	Jeff	UNIT	mm
CHECK	Jeff	SIZE	A4: 210*297
APPROVAL	Baker	VERSION	01

TOLERANCE UNLESS OTHERWISE STATED(mm)	PART NAME	RJ 45 JACK
0 _____ ±0.40	PART NO	45040-8P8C-6K4C2-S187
0.0 _____ ±0.38	DRAWING NO	
0.00 _____ ±0.25	DATE	2024/09/13
ANGLE _____ ±2°		

www.dawning2.com.tw