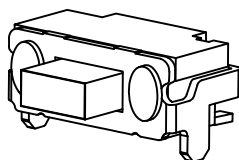


△				
△				
△				
△				
ZONE	REV	DESCRIPTION	DATE	APPD.

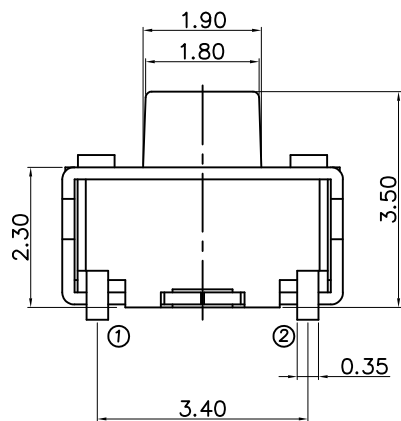
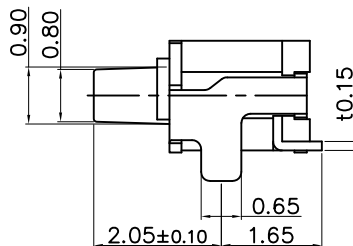
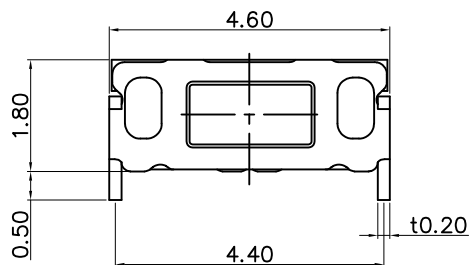
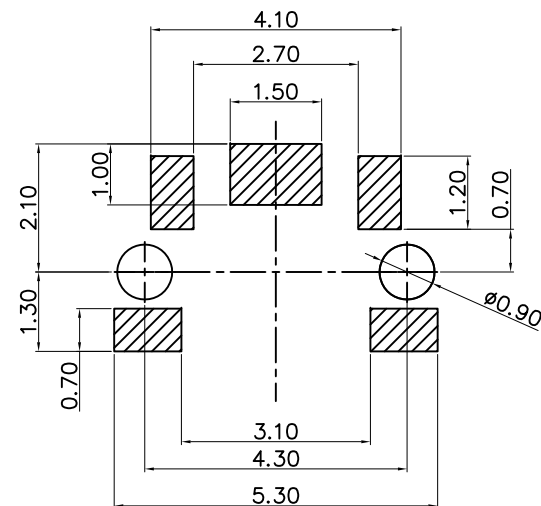
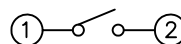


R&D發行  
2021.05.25  
達立

**RoHS**  
**Compatible**

RECOMMENED P.C.B MOUNTING  
PATTERN DIMENSION

CIRCUIT DIAGRAM



Specifications

1. Rating : DC 12V, 50mA.
2. Travel : 0.20±0.10mm
3. Contact resistance : 100mΩ Max.
4. Insulation resistance : 100MΩ Min.
5. Operating force : 160±50gf
6. Operating life : 100,000 cycles Min.

5	Cover	Phosphor Bronze	1	Ag Plated 0.20μm
4	Stem	LCP	1	Black
3	Contact	SUS	2	Ag Clad 0.35μm
2	Case	LCP	1	White
1	Terminal	Phosphor Bronze	1	Ni under plated 0.20μm and Ag plated 0.25μm. over all.
No.	Part Name	Material	Q'ty	Finishing

**達立科技股份有限公司**  
**Dawning Precision Co., Ltd.**  
TEL: 886-2-82271388 FAX: 886-2-82272198

DESIGN	Jeff	SCALE		
DRAWING	Jeff	UNIT	mm	
CHECK	Jeff	SIZE	A4: 210*297	
APPROVAL	Jonus	VERSION	02	

TOLERANCE UNLESS OTHERWISE STATED(mm)	PART NAME	TACT SWITCH
0 ——— ±0.35	PART NO	TS-A00A-2-S085
0.0 ——— ±0.30	DRAWING NO	
0.00 ——— ±0.20	DATE	2021/05/25
ANGLE ——— ±3°		

www.dawning2.com.tw