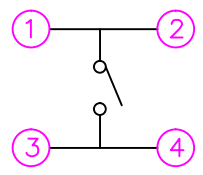


△				
△				
△				
△				
ZONE	REV	DESCRIPTION	DATE	APPD.

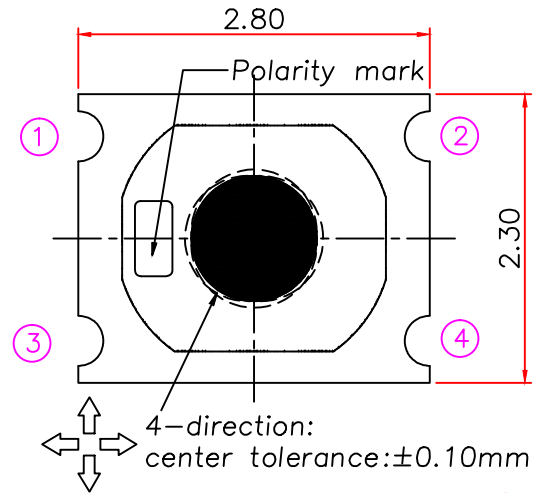
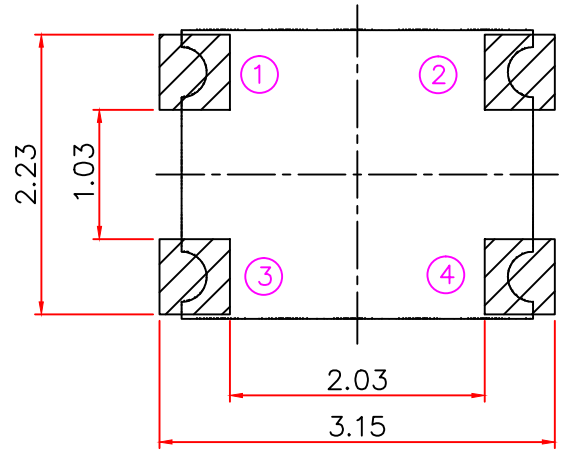
**RoHS**  
**Compatible**

CIRCUIT DIAGRAM

R&D發行  
2019.03.04  
達立

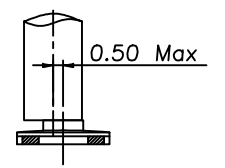
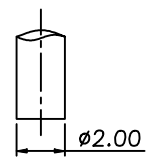


RECOMMENED P.C.B MOUNTING  
PATTERN DIMENSION



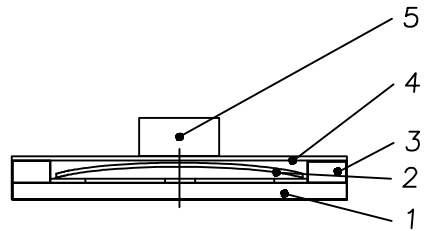
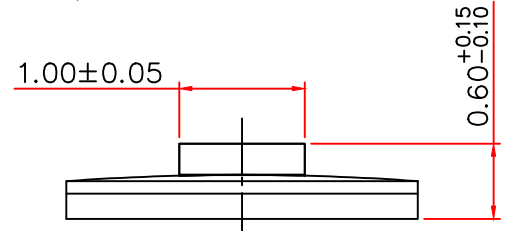
Design recommend :

1. Recommendable keytop shape :  
Please refer to the drawing on the right.
2. Recommendable keytop shape :  
Gap between the center of switch operating portion and keytop should be 0.3mm Max.



Specifications

1. Rating : DC 12V, 20mA.
2. Travel : 0.15±0.07mm
3. Contact resistance : 100mΩ Max.
4. Insulation resistance : 100MΩ Min.
5. Operating force : 160±50gf
6. Operating life : 300,000 cycles



5	Actuator	Heat-resistant resin ,UL 94-V0	1	Yellow
4	Waterproof Sheet	Anti-Heatpolyimide Strip ,UL 94-V0	1	Natural
3	Adhesive Sheet	Anti-Heatpolyimide Strip ,UL 94-V0	1	Natural
2	Tactile Spring	Stainless Steel Strip	1	Ag Plated
1	Circuit	FR-4,UL 94-V0	1	Natural
No.	Part Name	Material	Q'ty	Finishing

**達立科技股份有限公司**  
**Dawning Precision Co.,Ltd.**  
TEL: 886-2-82271388 FAX: 886-2-82272198

DESIGN	Jeff	SCALE		
DRAWING	Jeff	UNIT	mm	
CHECK	Jeff	SIZE	A4: 210*297	
APPROVAL	Honda	VERSION	02	

TOLERANCE UNLESS OTHERWISE STATED(mm)	PART NAME	TACT SWITCH
0 ±0.40	PART NO	TST70-C-160-T50
0.0 ±0.30	DRAWING NO	
0.00 ±0.20	DATE	2019/03/04
ANGLE ±2°		

www.dawning2.com.tw