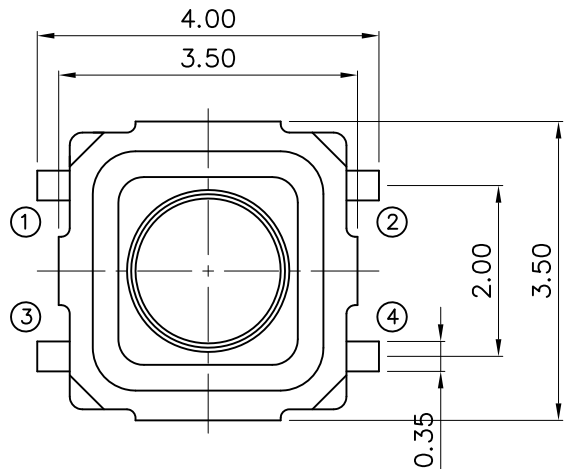


△				
△				
△				
△				
ZONE	REV	DESCRIPTION	DATE	APPD.

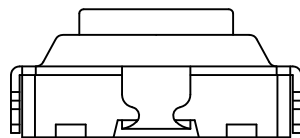
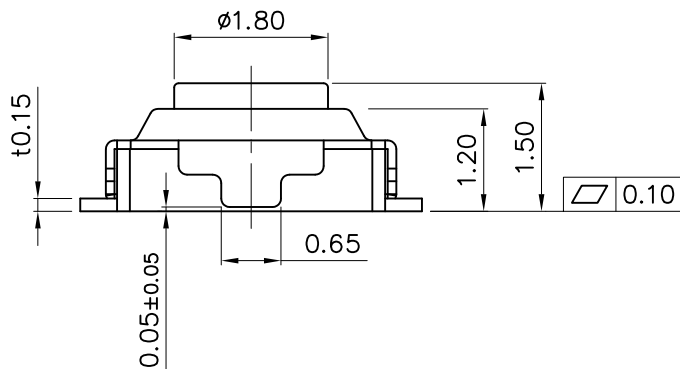
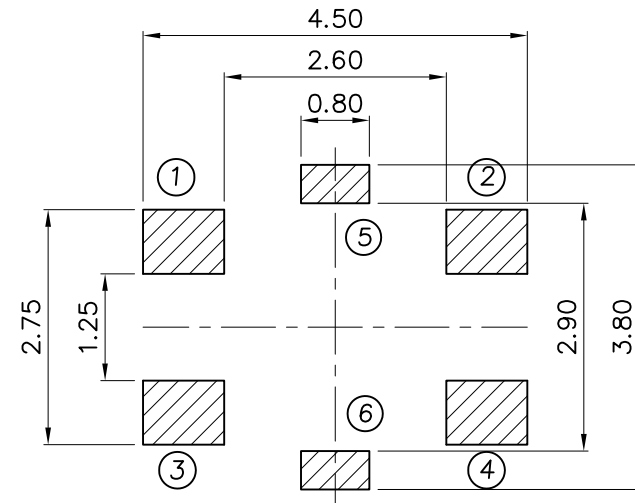
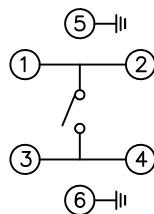
R&D  
2020.02.26  
達立

**RoHS**  
Compatible

RECOMMENDED P.C.B MOUNTING  
PATTERN DIMENSION



Circuit diagram



Specifications

1. Rating : DC 12V, 50mA.
2. Travel : 0.15±0.10mm
3. Contact resistance : 100mΩ Max.
4. Insulation resistance : 100MΩ Min.
5. Operating force : 160±50gf
6. Operating life : 100,000 cycles Min.

6	Dust cover	Pi film	1	—
5	Terminal	Phosphor Bronze	1	Ag Plated
4	Cover	SUS	1	Ag Plated
3	Contact	SUS	2	Ag Clad
2	Stem	LCP UL94 V-0	1	White
1	Case	LCP UL94 V-0	1	White
No.	Part Name	Material	Q'ty	Finishing

達立科技股份有限公司

Dawning Precision Co., Ltd.  
TEL: 886-2-82271388 FAX: 886-2-82272198

DESIGN	Eason	SCALE		
DRAWING	Eason	UNIT	mm	
CHECK	Eason	SIZE	A4: 210*297	
APPROVAL	Honda	VERSION	01	

TOLERANCE UNLESS OTHERWISE STATED(mm)		PART NAME	TACT SWITCH
0	±0.40	PART NO	TS-307KF-2-W-S001
0.0	±0.30	DRAWING NO	
0.00	±0.20	DATE	2020/02/26
ANGLE	±5°		